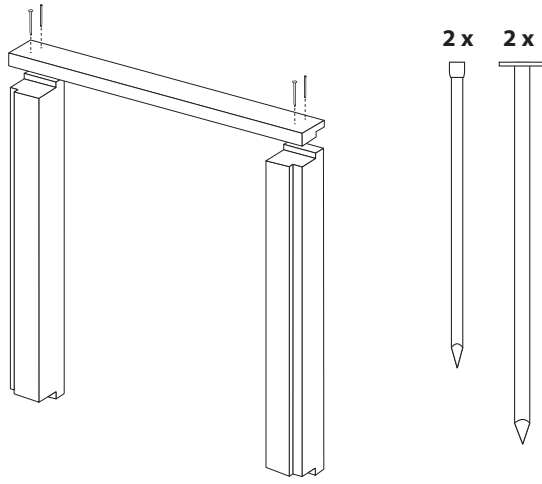


Assembly Instructions - Hamilton Converter

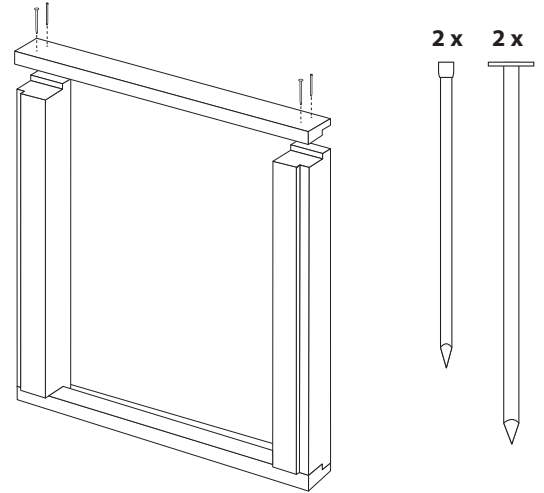


MAISEMORE APIARIES



1

Place side rail (with rebates downwards) onto two end rails and nail in place with 2 x 50 mm round head nails and 2 x 40mm lost head nails in positions shown.



2

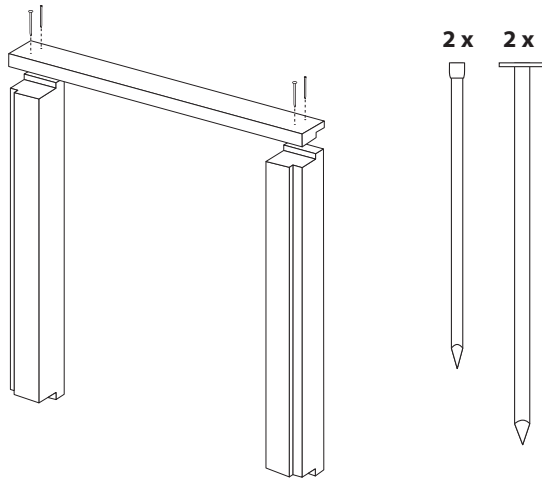
Repeat the procedure for the opposite side.

Old Road, Maisemore, Gloucester, GL2 8HT Tel: 01452 700289 Fax: 01452 700196 email: sales@bees-online.co.uk www.bees-online.co.uk www.honey-online.co.uk

Assembly Instructions - Hamilton Converter

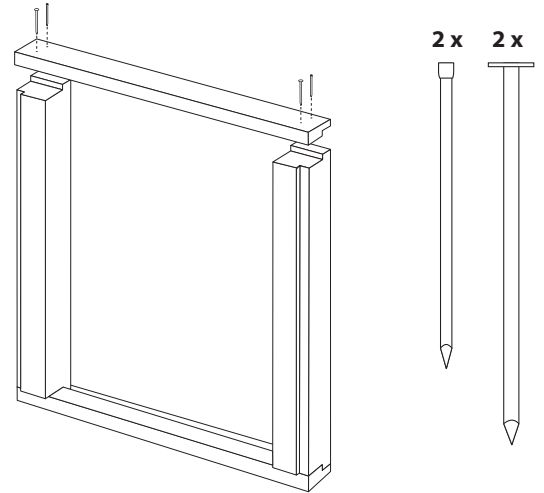


MAISEMORE APIARIES



1

Place side rail (with rebates downwards) onto two end rails and nail in place with 2 x 50 mm round head nails and 2 x 40mm lost head nails in positions shown.



2

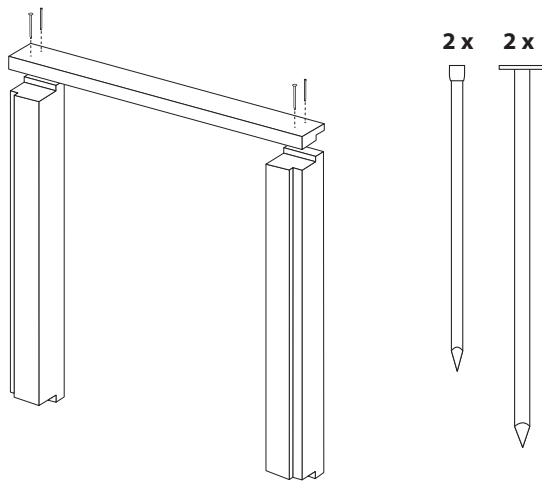
Repeat the procedure for the opposite side.

Old Road, Maisemore, Gloucester, GL2 8HT Tel: 01452 700289 Fax: 01452 700196 email: sales@bees-online.co.uk www.bees-online.co.uk www.honey-online.co.uk

Assembly Instructions - Hamilton Converter

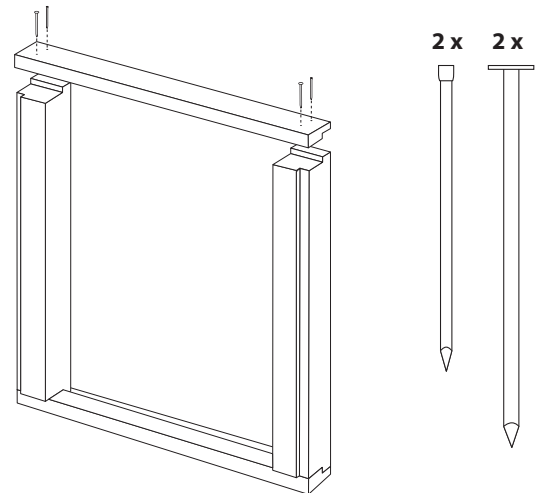


MAISEMORE APIARIES



1

Place side rail (with rebates downwards) onto two end rails and nail in place with 2 x 50 mm round head nails and 2 x 40mm lost head nails in positions shown.



2

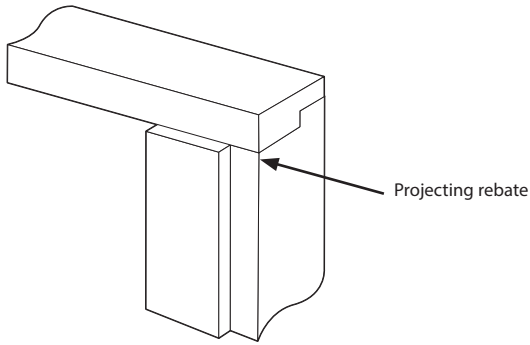
Repeat the procedure for the opposite side.

Old Road, Maisemore, Gloucester, GL2 8HT Tel: 01452 700289 Fax: 01452 700196 email: sales@bees-online.co.uk www.bees-online.co.uk www.honey-online.co.uk

Assembly Instructions - Hamilton Converter

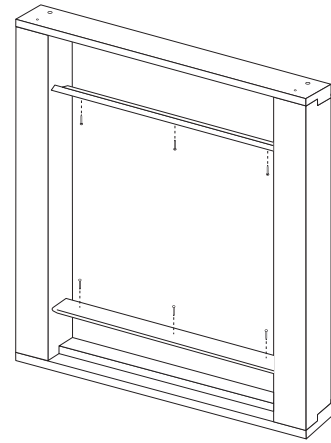


MAISEMORE APIARIES



3

Note position of projecting rebate, which will locate the frame in position



4

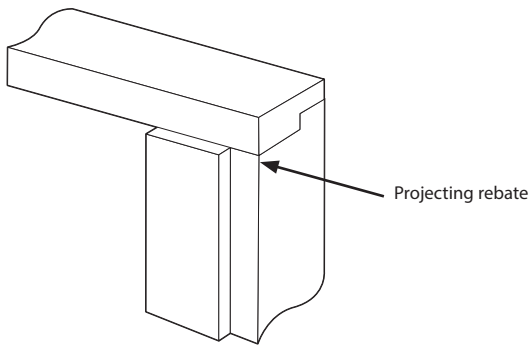
Place the metal side rails in position with the short fold against the frame rebate & the large fold flat against the side rail and nail each in place with 3 x gimp pins

Old Road, Maisemore, Gloucester, GL2 8HT Tel: 01452 700289 Fax: 01452 700196 email: sales@bees-online.co.uk www.bees-online.co.uk www.honey-online.co.uk

Assembly Instructions - Hamilton Converter

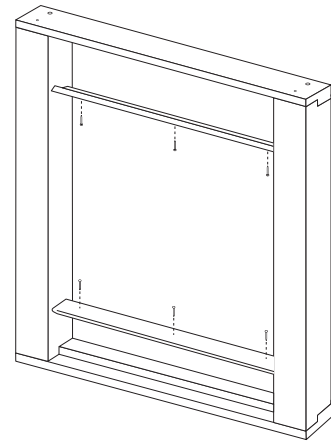


MAISEMORE APIARIES



3

Note position of projecting rebate, which will locate the frame in position



4

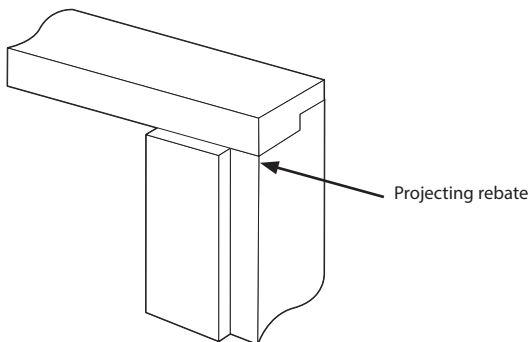
Place the metal side rails in position with the short fold against the frame rebate & the large fold flat against the side rail and nail each in place with 3 x gimp pins

Old Road, Maisemore, Gloucester, GL2 8HT Tel: 01452 700289 Fax: 01452 700196 email: sales@bees-online.co.uk www.bees-online.co.uk www.honey-online.co.uk

Assembly Instructions - Hamilton Converter

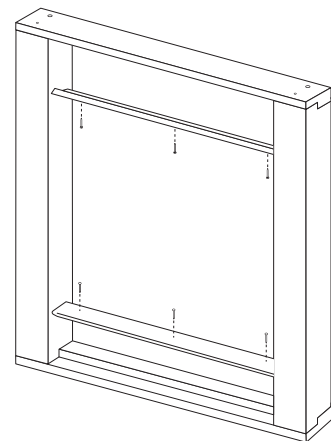


MAISEMORE APIARIES



3

Note position of projecting rebate, which will locate the frame in position



4

Place the metal side rails in position with the short fold against the frame rebate & the large fold flat against the side rail and nail each in place with 3 x gimp pins

Old Road, Maisemore, Gloucester, GL2 8HT Tel: 01452 700289 Fax: 01452 700196 email: sales@bees-online.co.uk www.bees-online.co.uk www.honey-online.co.uk