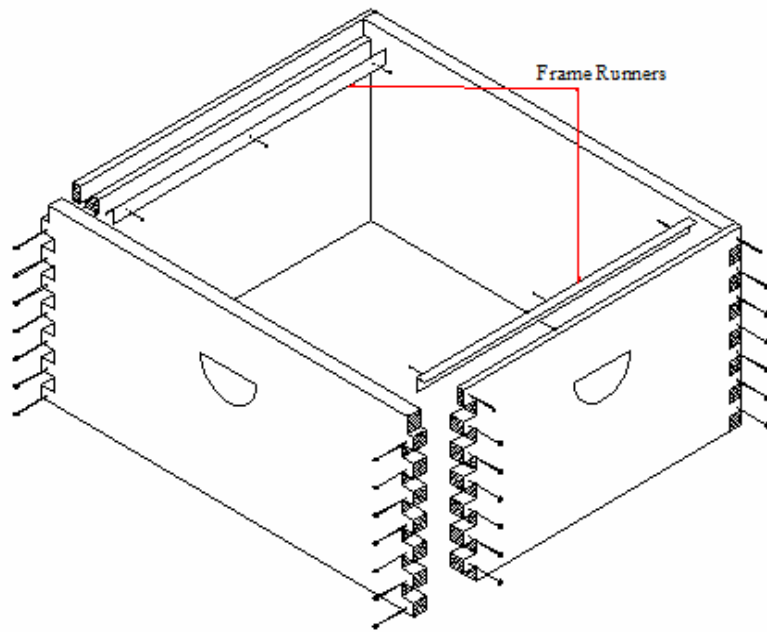




MAISEMORE APIARIES LTD

Assembly Instructions – Super or Brood Chamber

Langstroth, M.D, Commercial & Smith



-  Gimp Pin $\frac{3}{4}$ "
-  Lost Head $1\frac{1}{2}$ "
-  Flat Head 2"

1. Push the four walls together hand holes on the outside, then make sure all the joints are tight and the box is square.
2. Then nail all four sides together using 2" sheradised nails then using the $1\frac{1}{2}$ " sheradised nails, nail the top joint at the rebate.
3. Place the metal runners in position and nail in place with the black japanned frame nails.