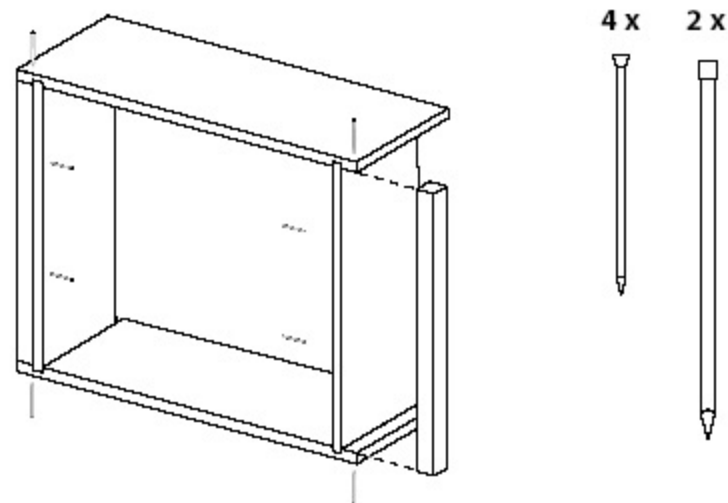
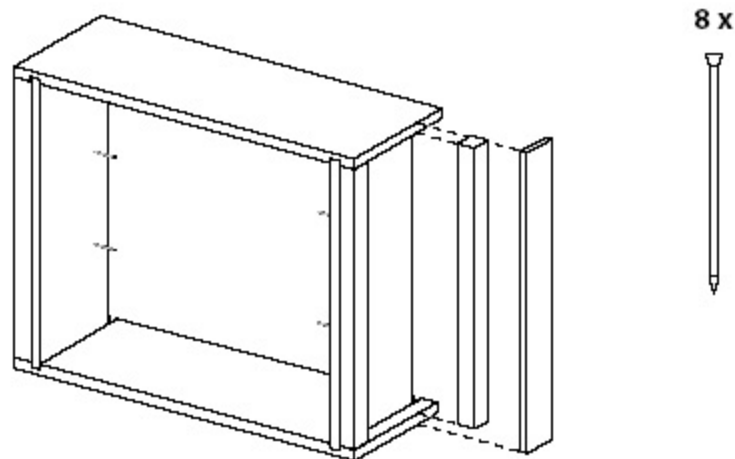


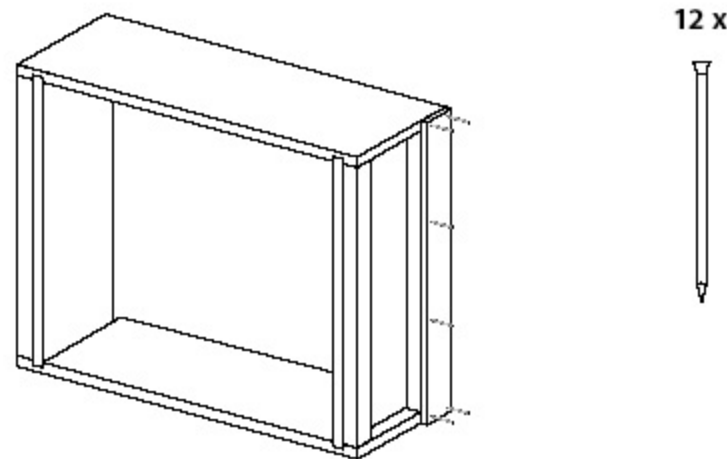
- 1** Lay side panel flat. Insert support panels chamfer sloping down and outwards into rebates. The top edge must be 7/16" below the top edge of the side panel. Nail side panels to support boards using 12 x 40 mm lost head nails



- 2** Place side blocks in position, flush to corners as shown and nail in position using 4 x 25mm pins and 4 x 40 mm lost head nails



- 3** Fit second pair of blocks between side panels and nail side strips to side panels, flush to top edge of side panels, using 8 x 25 mm pins.



- 4** Nail through side panels into side blocks using 4 x 25 mm pins, ensuring side blocks remain flush with lower edge of side strip. Nail through side strips into side block using 4 x 25 mm pins .