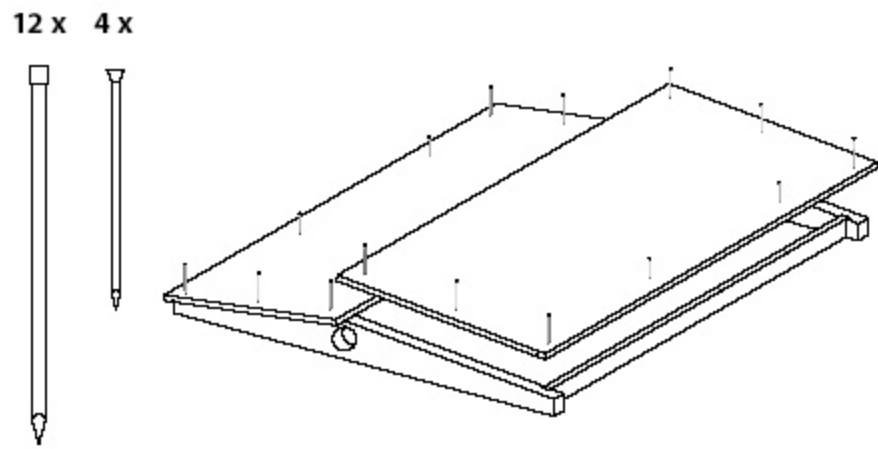
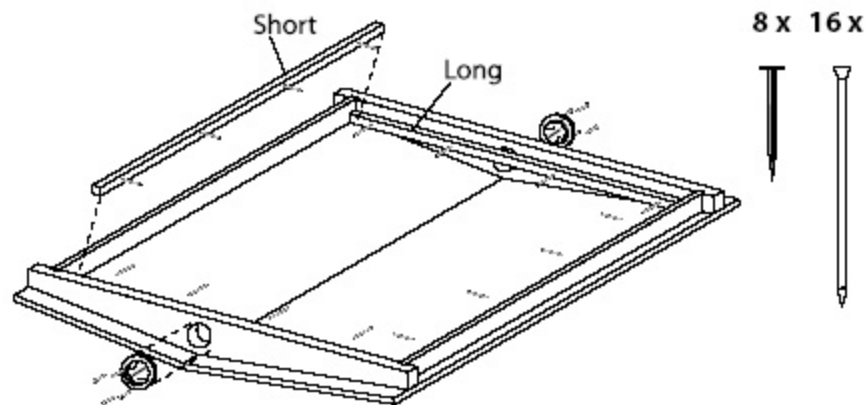


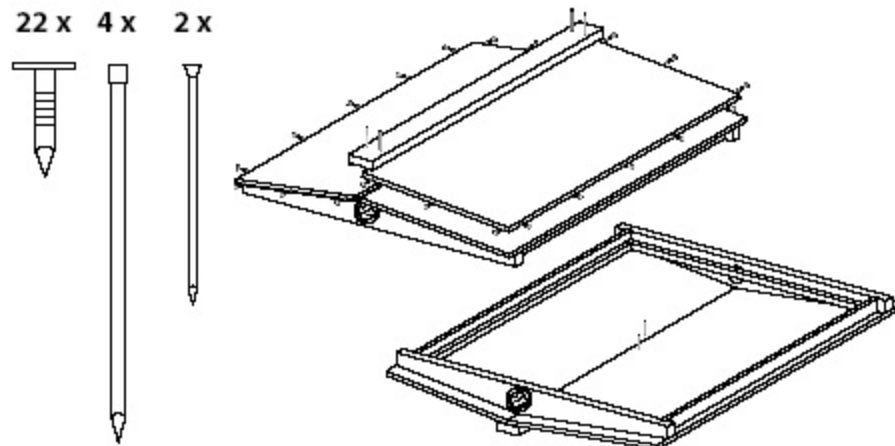
1 Assemble roof ends to side rails sides as shown. Nail through ends into side rails using 8 x 40 mm lost head nails. Check assembly remains square.



2 Position roof panels as shown (overhang equally at each end) and nail to end boards using 12 x 40 mm lost head nails. Nail to sides using 4 x 25 mm pins.



3 Turn roof over and position inner end strips (longer). Nail to ends using 4 x 25 mm pins. Position inner side strips (shorter). Nail to sides using 4 x 25 mm pins. Position vent covers over vent holes and nail in place using 8 x 12 mm black japanned round head tacks.



4 Turn roof over, place metal covers over roof and nail to roof edges using 22 x 12 mm round head nails. Position apex cover strip as shown and nail to roof end boards using 4 x 40 mm lost head nails. Turn roof over and nail through roof panels into apex cover strip using 2 x 25 mm pins.