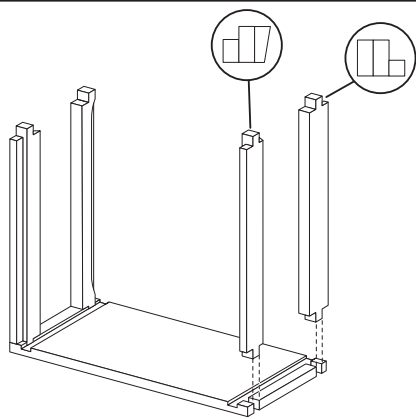


Assembly Instructions - National Super

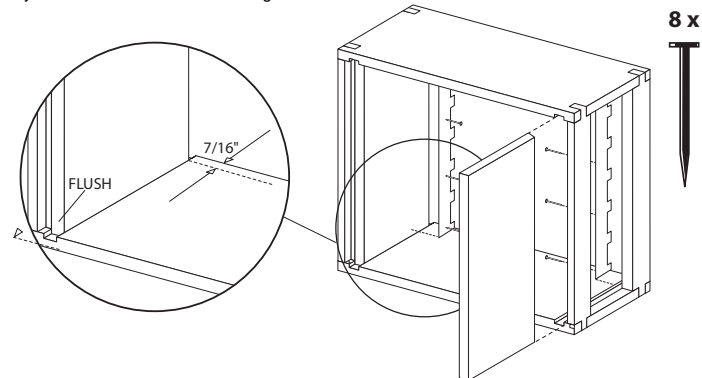


MAISEMORE APIARIES



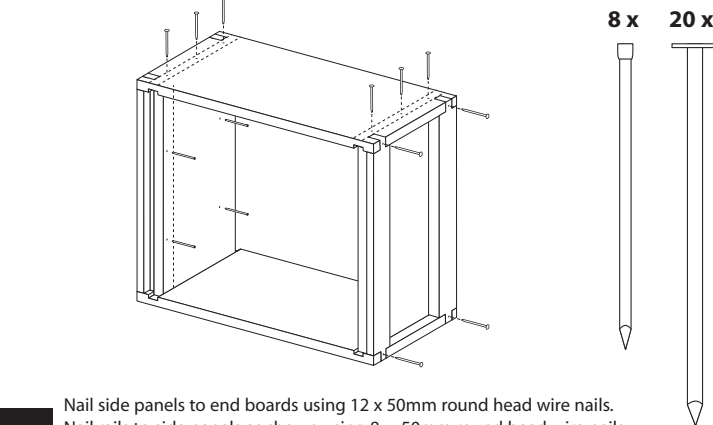
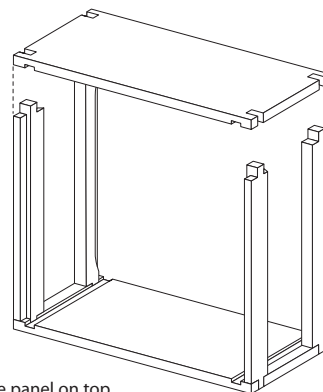
1 Lay side panel flat. Insert top rails with cutouts facing in and up. Insert bottom rails with chamfer sloping down and outwards.

Only use metal castellations if using SN1/SN2 Frames



3 Slide end boards into grooves ensuring chamfered edge is towards top and slopes down and out. The top edge must be 7/16" below the top edge of the side panel. Fit Frame Separators to inside of side panels as shown, using 8 x 19mm frame nails

2 Place second side panel on top



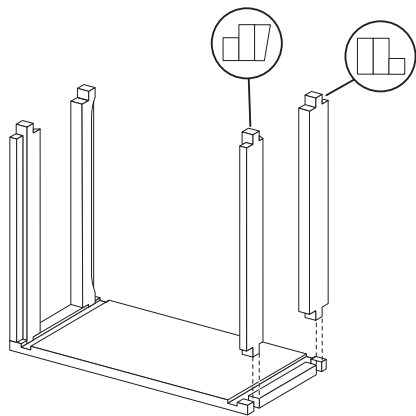
4 Nail side panels to end boards using 12 x 50mm round head wire nails. Nail rails to side panels as shown using 8 x 50mm round head wire nails. Nail end boards to rails using 8 x 40mm lost head nails

Old Road, Maisemore, Gloucester, GL2 8HT Tel: 01452 700289 Fax: 01452 700196 email: sales@bees-online.co.uk www.bees-online.co.uk www.honey-online.co.uk

Assembly Instructions - National Super

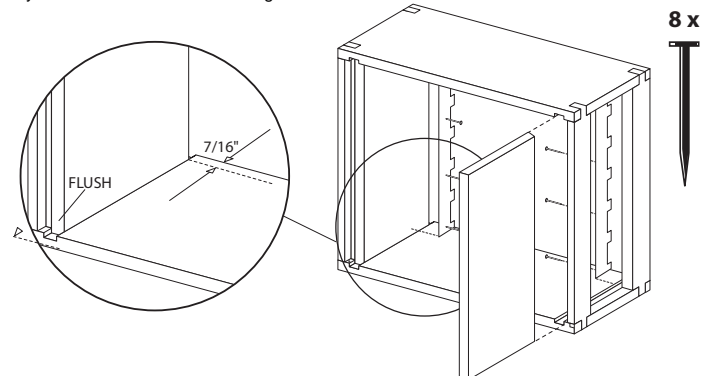


MAISEMORE APIARIES



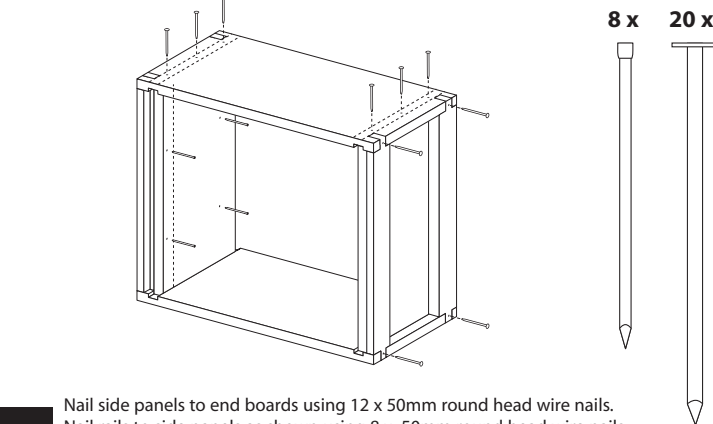
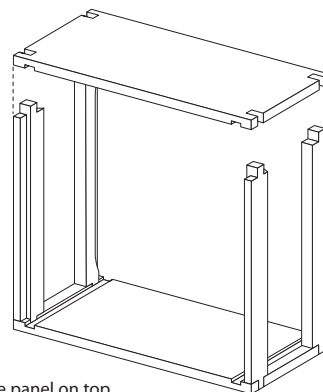
1 Lay side panel flat. Insert top rails with cutouts facing in and up. Insert bottom rails with chamfer sloping down and outwards.

Only use metal castellations if using SN1/SN2 Frames



3 Slide end boards into grooves ensuring chamfered edge is towards top and slopes down and out. The top edge must be 7/16" below the top edge of the side panel. Fit Frame Separators to inside of side panels as shown, using 8 x 19mm frame nails

2 Place second side panel on top



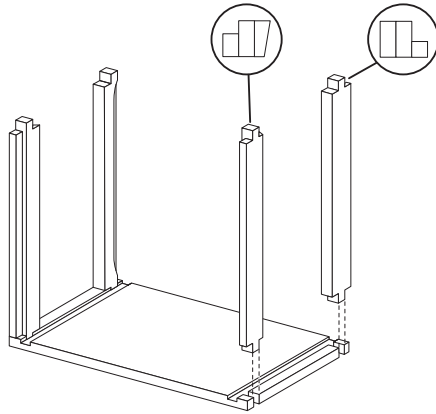
4 Nail side panels to end boards using 12 x 50mm round head wire nails. Nail rails to side panels as shown using 8 x 50mm round head wire nails. Nail end boards to rails using 8 x 40mm lost head nails

Old Road, Maisemore, Gloucester, GL2 8HT Tel: 01452 700289 Fax: 01452 700196 email: sales@bees-online.co.uk www.bees-online.co.uk www.honey-online.co.uk

Assembly Instructions - National Brood Chamber

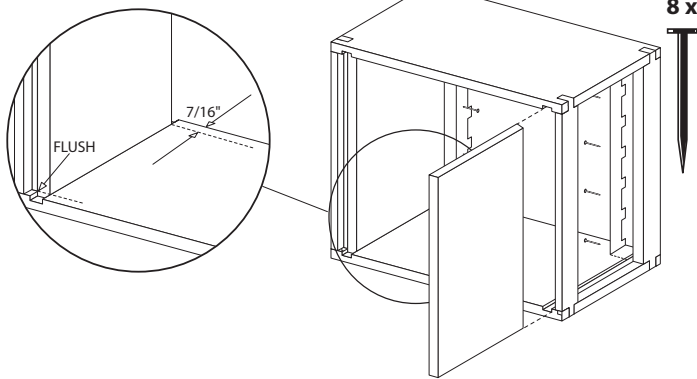


MAISEMORE APIARIES

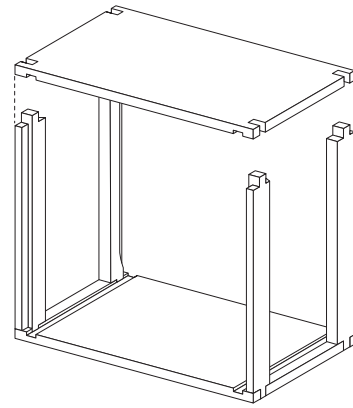


1 Lay side panel flat. Insert top rails with cutouts facing in and up. Insert bottom rails with chamfer sloping down and outwards.

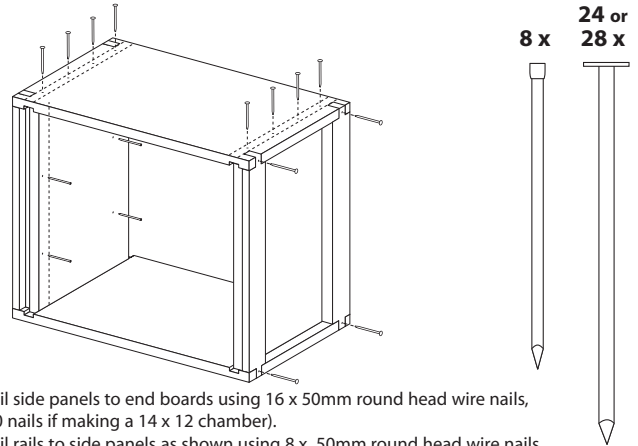
Only use metal castellations if using DN1/DN2 Frames



3 Slide end boards into grooves ensuring chamfered edge is towards top and slopes down and out. The top edge must be 7/16" below the top edge of the side panel. Fit Frame Separators to inside of side panels as shown, using 8 x 19mm frame nails



2 Place second side panel on top



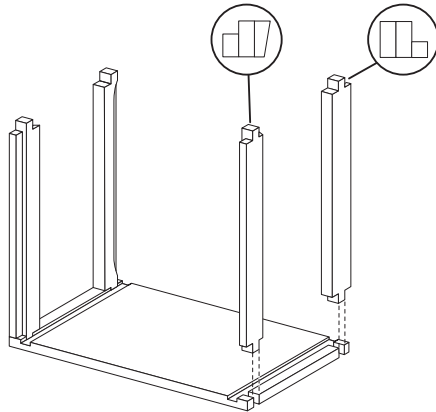
4 Nail side panels to end boards using 16 x 50mm round head wire nails, (20 nails if making a 14 x 12 chamber). Nail rails to side panels as shown using 8 x 50mm round head wire nails. Nail end boards to rails using 8 x 40mm lost head nails

Old Road, Maisemore, Gloucester, GL2 8HT Tel: 01452 700289 Fax: 01452 700196 email: sales@bees-online.co.uk www.bees-online.co.uk www.honey-online.co.uk

Assembly Instructions - National Brood Chamber

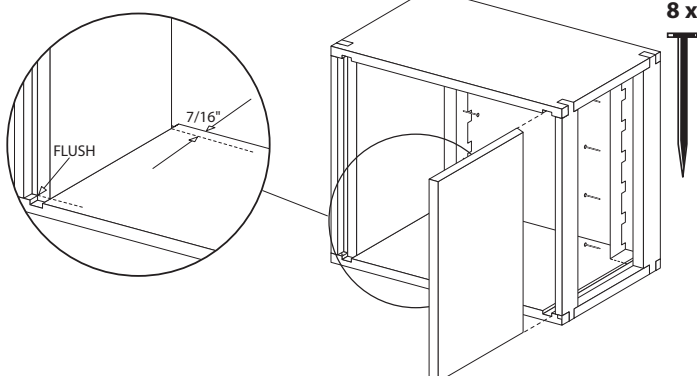


MAISEMORE APIARIES

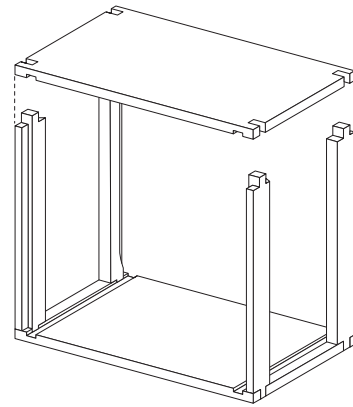


1 Lay side panel flat. Insert top rails with cutouts facing in and up. Insert bottom rails with chamfer sloping down and outwards.

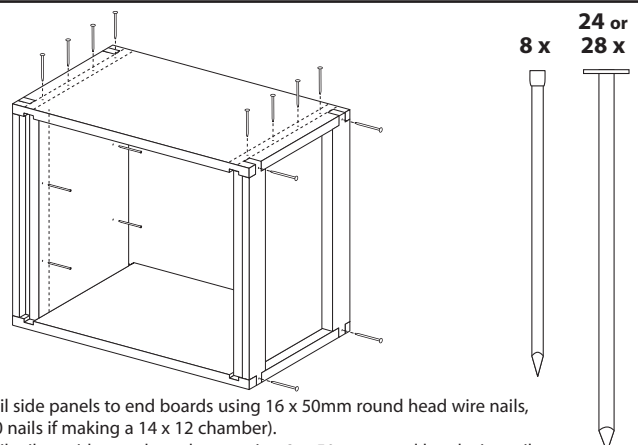
Only use metal castellations if using DN1/DN2 Frames



3 Slide end boards into grooves ensuring chamfered edge is towards top and slopes down and out. The top edge must be 7/16" below the top edge of the side panel. Fit Frame Separators to inside of side panels as shown, using 8 x 19mm frame nails



2 Place second side panel on top



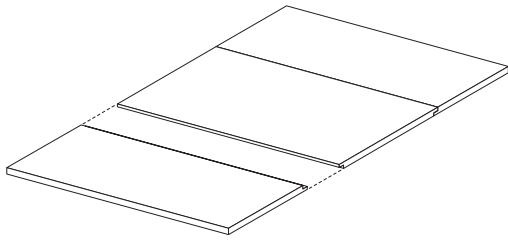
4 Nail side panels to end boards using 16 x 50mm round head wire nails, (20 nails if making a 14 x 12 chamber). Nail rails to side panels as shown using 8 x 50mm round head wire nails. Nail end boards to rails using 8 x 40mm lost head nails

Old Road, Maisemore, Gloucester, GL2 8HT Tel: 01452 700289 Fax: 01452 700196 email: sales@bees-online.co.uk www.bees-online.co.uk www.honey-online.co.uk

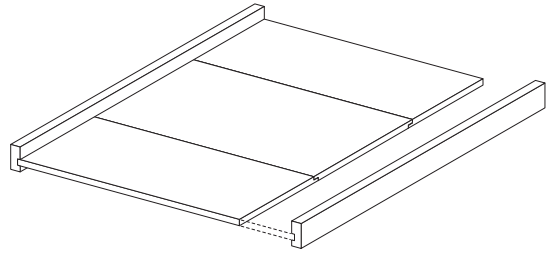
Assembly Instructions - National Floor



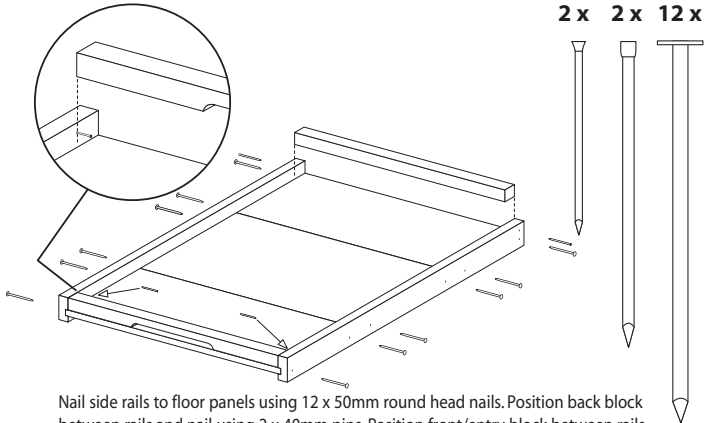
MAISEMORE APIARIES



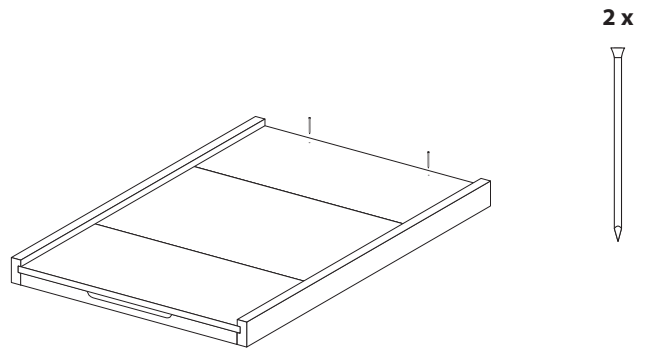
1 Place floor panels flat fitting rebates together as shown.



2 Slot side rails onto floor edges; groove should be to bottom of rail.



3 Nail side rails to floor panels using 12 x 50mm round head nails. Position back block between rails and nail using 2 x 40mm pins. Position front/entry block between rails and scribe inner edge to side rails. Remove block and tap in a 25mm pin to half it's length at scribed line to prevent block being pushed into hive. Front block is left loose.



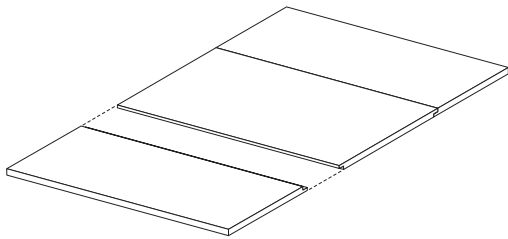
4 Turn floor over and nail through floor into back block using 2 x 25mm pins.

Old Road, Maisemore, Gloucester, GL2 8HT Tel: 01452 700289 Fax: 01452 700196 email: sales@bees-online.co.uk www.bees-online.co.uk www.honey-online.co.uk

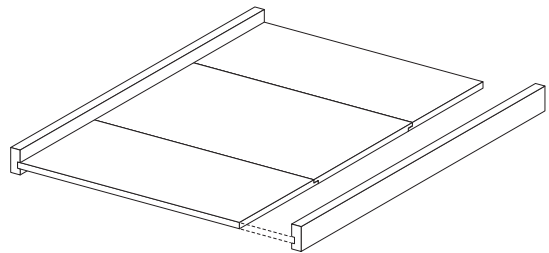
Assembly Instructions - National Floor



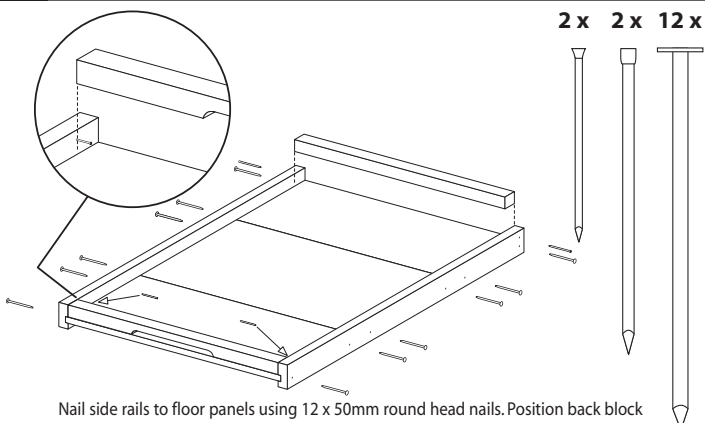
MAISEMORE APIARIES



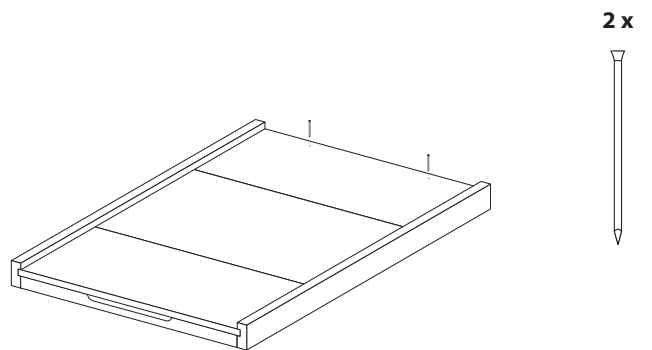
1 Place floor panels flat fitting rebates together as shown.



2 Slot side rails onto floor edges; groove should be to bottom of rail.



3 Nail side rails to floor panels using 12 x 50mm round head nails. Position back block between rails and nail using 2 x 40mm pins. Position front/entry block between rails and scribe inner edge to side rails. Remove block and tap in a 25mm pin to half it's length at scribed line to prevent block being pushed into hive. Front block is left loose.



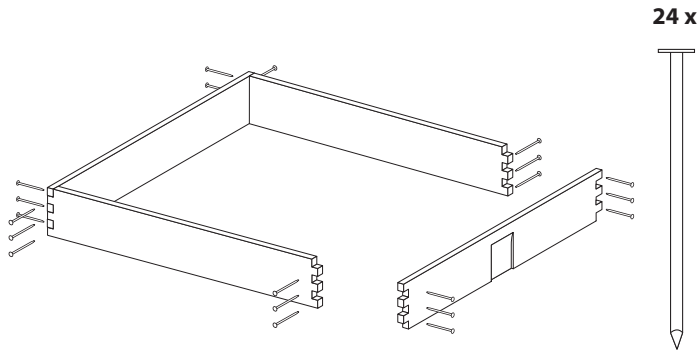
4 Turn floor over and nail through floor into back block using 2 x 25mm pins.

Old Road, Maisemore, Gloucester, GL2 8HT Tel: 01452 700289 Fax: 01452 700196 email: sales@bees-online.co.uk www.bees-online.co.uk www.honey-online.co.uk

Assembly Instructions - National Roof



MAISEMORE APIARIES



24 x

1

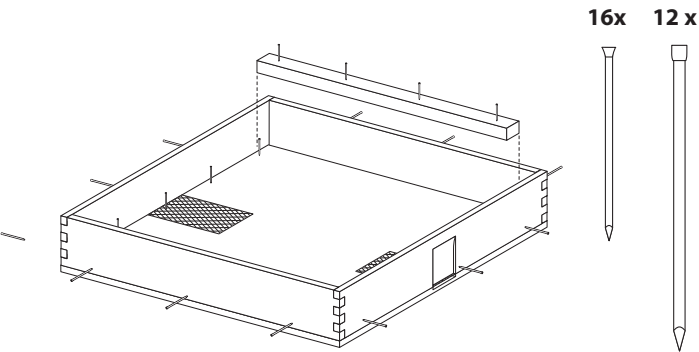
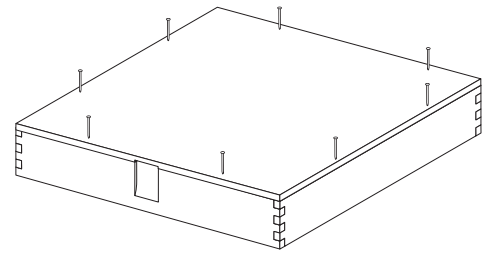
Assemble roof sides as diagram ensuring vent cutouts are to outside and aligned with grilles. Nail sides together using 24 x 40mm round head nails. Check side assembly remains square.

8 x



2

Turn frame over and nail roof panel to sides using 8 x 40mm round head nails. Ensure vent grilles align with side cutouts.



16x 12 x



3

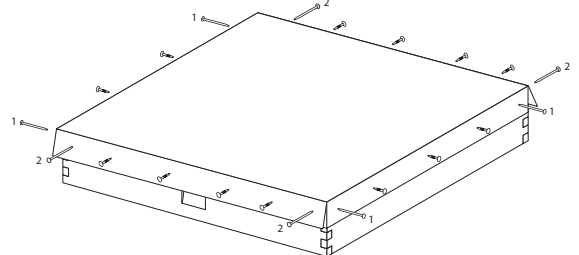
Place roof spacer blocks inside roof and nail to roof panel using 25 mm pins: 4 per block at vent sides and 4 per block at remaining sides. Nail through sides into spacer blocks using 12 x 40mm pins.

16 x 8 x



4

Place metal cover over roof and nail to sides in the following sequence: First the edges with flaps (1) in the corners with 4 x 40mm round head nails. Next nail the edges without flaps (2) in the corners using 4 x round head nails. Finally nail round the sides using 16 x 12mm round head nails.

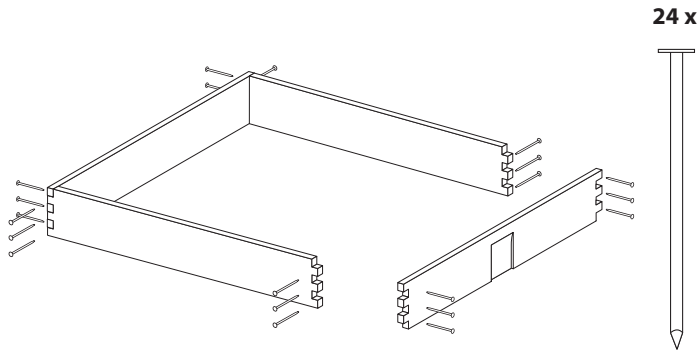


Old Road, Maisemore, Gloucester, GL2 8HT Tel: 01452 700289 Fax: 01452 700196 email: sales@bees-online.co.uk www.bees-online.co.uk www.honey-online.co.uk

Assembly Instructions - National Roof



MAISEMORE APIARIES



24 x

1

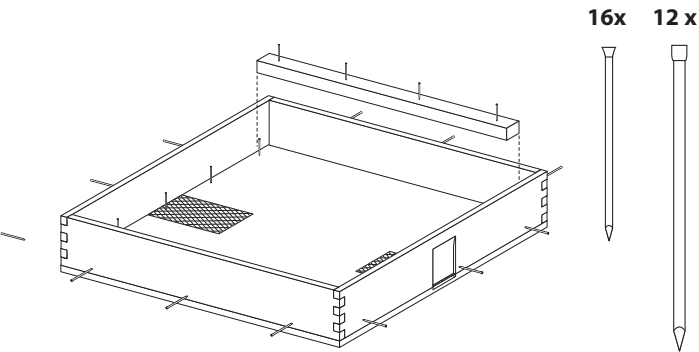
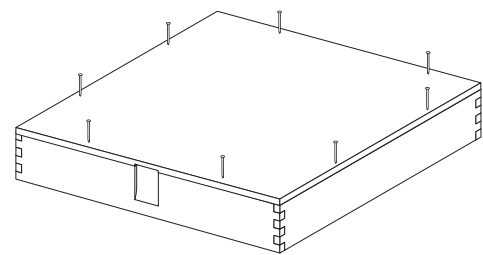
Assemble roof sides as diagram ensuring vent cutouts are to outside and aligned with grilles. Nail sides together using 24 x 40mm round head nails. Check side assembly remains square.

8 x



2

Turn frame over and nail roof panel to sides using 8 x 40mm round head nails. Ensure vent grilles align with side cutouts.



16x 12 x



3

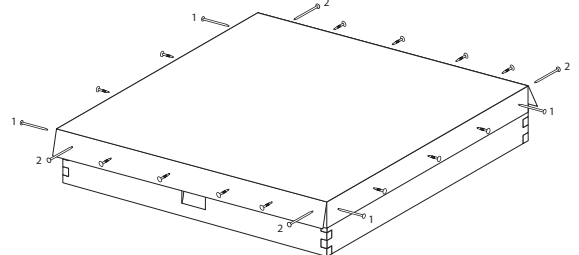
Place roof spacer blocks inside roof and nail to roof panel using 25 mm pins: 4 per block at vent sides and 4 per block at remaining sides. Nail through sides into spacer blocks using 12 x 40mm pins.

16 x 8 x



4

Place metal cover over roof and nail to sides in the following sequence: First the edges with flaps (1) in the corners with 4 x 40mm round head nails. Next nail the edges without flaps (2) in the corners using 4 x round head nails. Finally nail round the sides using 16 x 12mm round head nails.

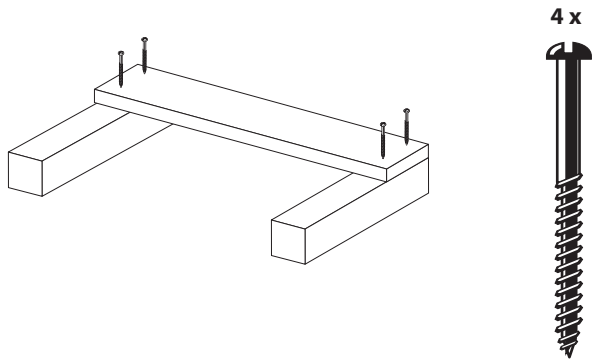


Old Road, Maisemore, Gloucester, GL2 8HT Tel: 01452 700289 Fax: 01452 700196 email: sales@bees-online.co.uk www.bees-online.co.uk www.honey-online.co.uk

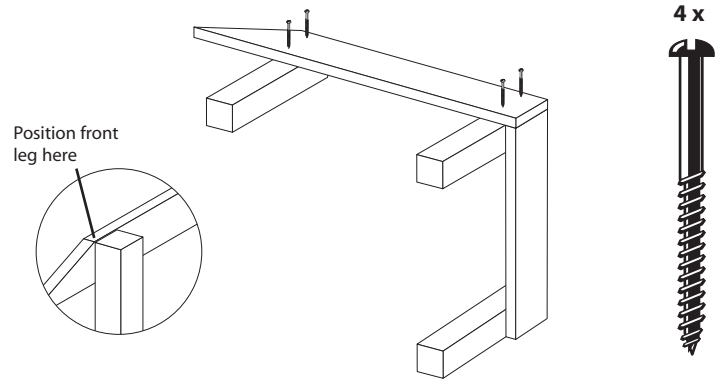
Assembly Instructions - Hive stand with Legs and an Alighting Board



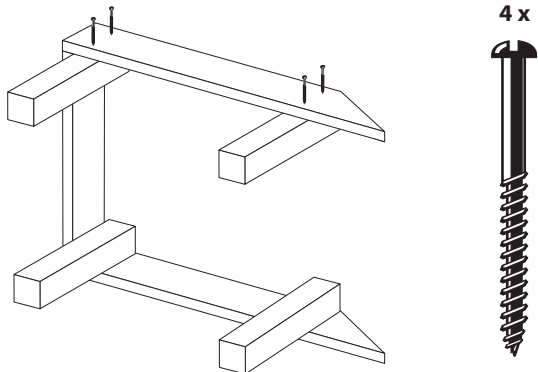
MAISEMORE APIARIES



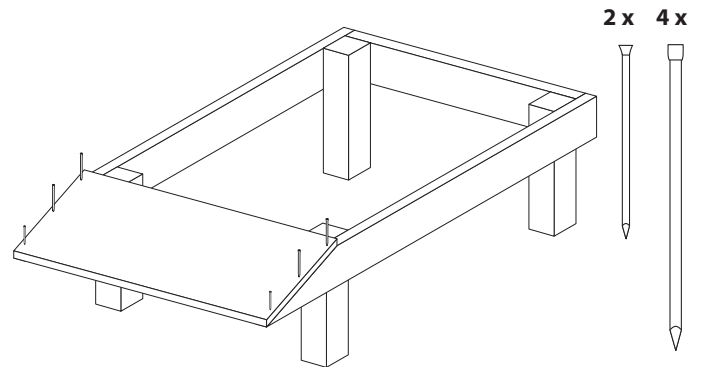
1 Place rear legs as shown, and fix rear cross rail using 4 x 40mm black japanned screws



2 Place left hand side rail and front leg in place as shown and fix using 4 x 40mm black japanned screws.



3 Repeat with the right hand side rail and front leg



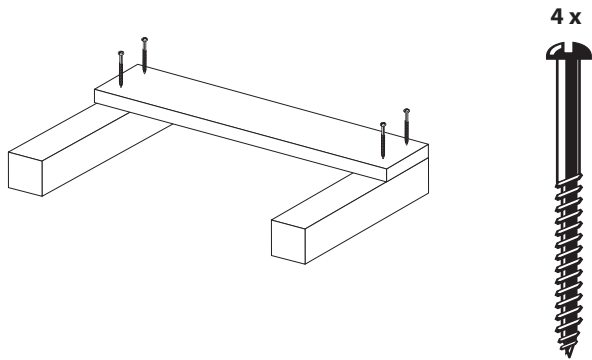
4 Nail the front slope into place, flush to the front edge of the side rails with its front edge vertical, using 2 x 25mm pins and 4 x 40mm lost head nails

Old Road, Maisemore, Gloucester, GL2 8HT Tel: 01452 700289 Fax: 01452 700196 email: sales@bees-online.co.uk www.bees-online.co.uk www.honey-online.co.uk

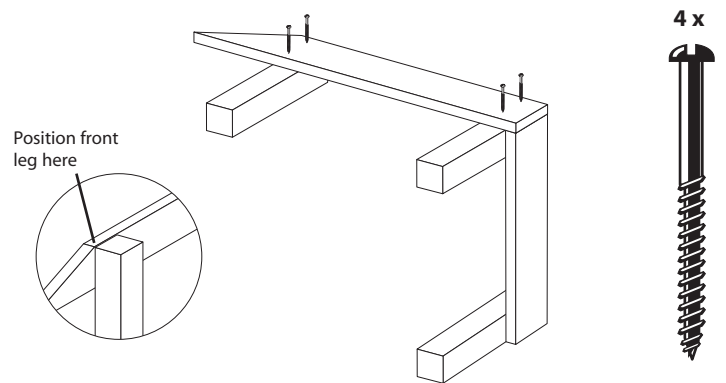
Assembly Instructions - Hive stand with Legs and an Alighting Board



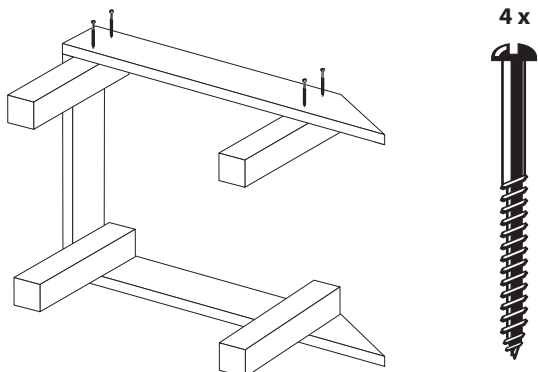
MAISEMORE APIARIES



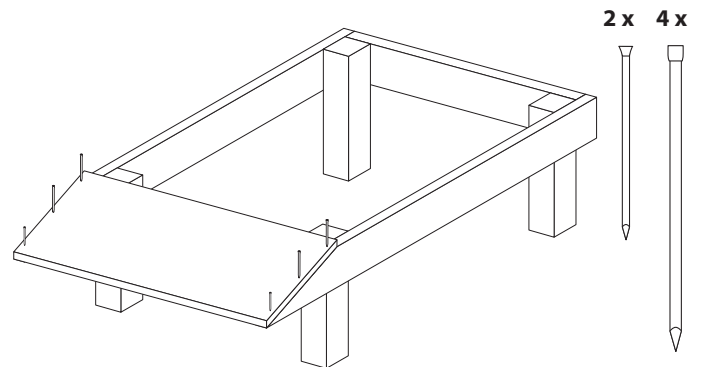
1 Place rear legs as shown, and fix rear cross rail using 4 x 40mm black japanned screws



2 Place left hand side rail and front leg in place as shown and fix using 4 x 40mm black japanned screws.



3 Repeat with the right hand side rail and front leg



4 Nail the front slope into place, flush to the front edge of the side rails with its front edge vertical, using 2 x 25mm pins and 4 x 40mm lost head nails

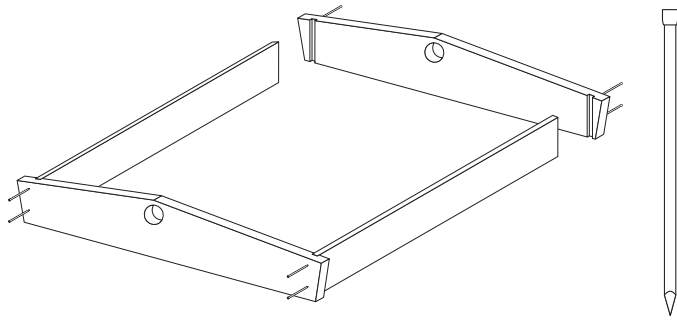
Old Road, Maisemore, Gloucester, GL2 8HT Tel: 01452 700289 Fax: 01452 700196 email: sales@bees-online.co.uk www.bees-online.co.uk www.honey-online.co.uk

Assembly Instructions - Gabled Roof



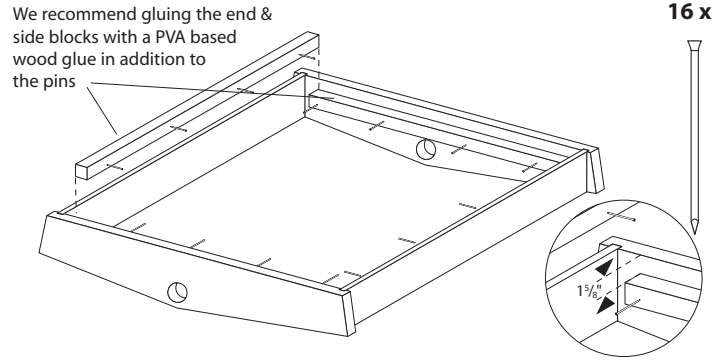
MAISEMORE APIARIES

8 x



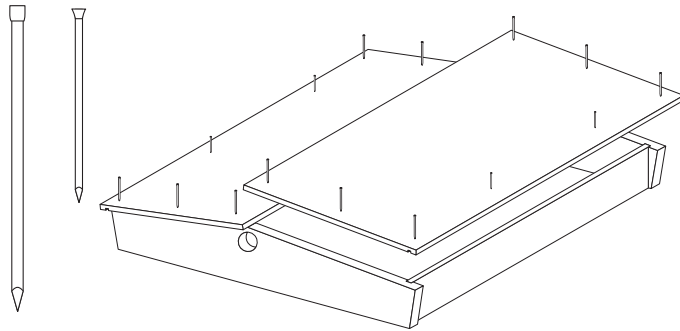
1 Assemble roof ends to side rails sides as shown. Nail through ends into side rails using 8 x 40 mm lost head nails. Check assembly remains square.

16 x



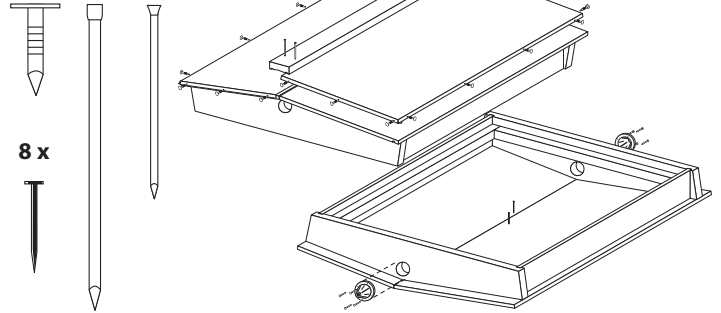
2 Turn roof over and position inner end blocks and inner side blocks $1\frac{5}{8}$ " from the lower edge of the roof. Nail to ends and sides using 4 x 25 mm pins per block.

12 x 4 x



3 Position roof panels as shown (overhang equally at each end) and nail to end boards using 12 x 40 mm lost head nails. Nail to sides using 4 x 25 mm pins.

20 x 4 x 2 x



4 Turn roof over, place metal covers over roof and nail to roof edges using 20 x 12 mm round head nails. Position apex cover strip as shown and nail to roof end boards using 4 x 40 mm lost head nails. Turn roof over and nail through roof panels into apex cover strip using 2 x 25 mm pins. Position vent covers over vent holes and nail in place using 8 x 12 mm black japanned round head tacks.

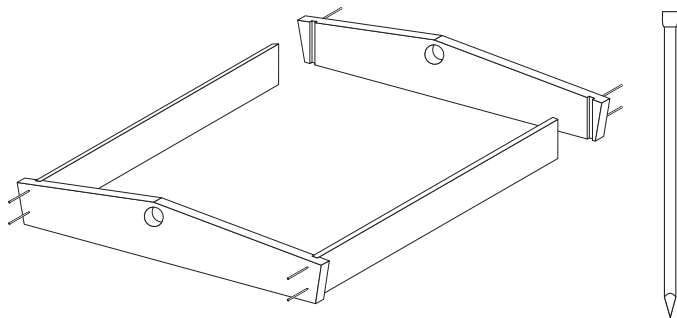
Old Road, Maisemore, Gloucester, GL2 8HT Tel: 01452 700289 Fax: 01452 700196 email: sales@bees-online.co.uk www.bees-online.co.uk www.honey-online.co.uk

Assembly Instructions - Gabled Roof



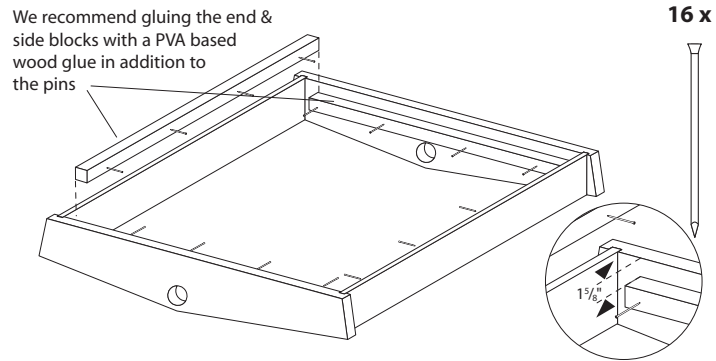
MAISEMORE APIARIES

8 x



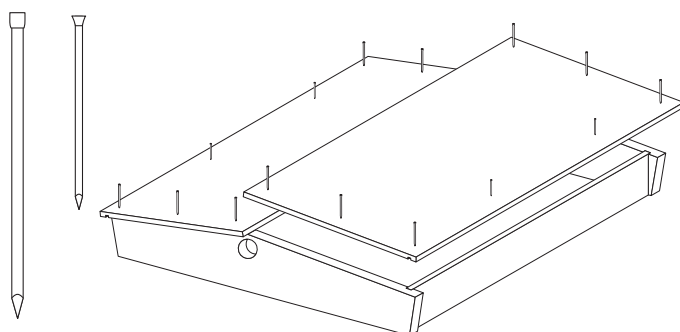
1 Assemble roof ends to side rails sides as shown. Nail through ends into side rails using 8 x 40 mm lost head nails. Check assembly remains square.

16 x



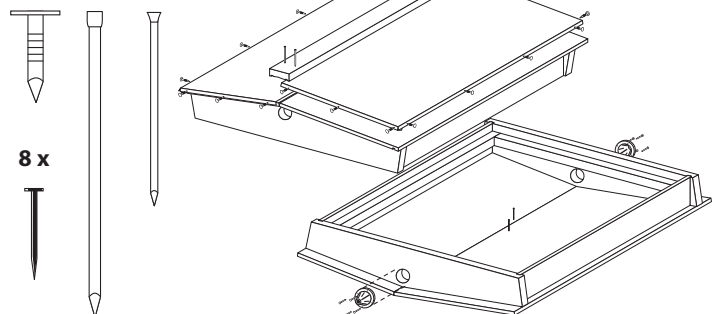
2 Turn roof over and position inner end blocks and inner side blocks $1\frac{5}{8}$ " from the lower edge of the roof. Nail to ends and sides using 4 x 25 mm pins per block.

12 x 4 x



3 Position roof panels as shown (overhang equally at each end) and nail to end boards using 12 x 40 mm lost head nails. Nail to sides using 4 x 25 mm pins.

20 x 4 x 2 x



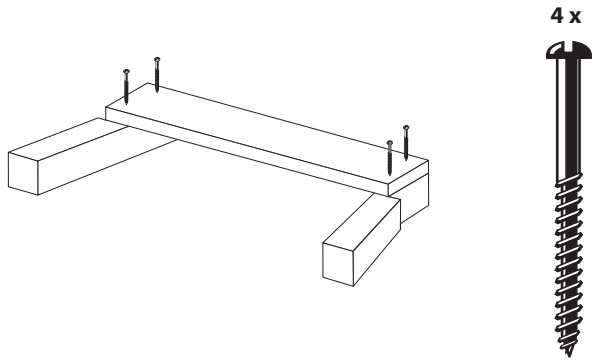
4 Turn roof over, place metal covers over roof and nail to roof edges using 20 x 12 mm round head nails. Position apex cover strip as shown and nail to roof end boards using 4 x 40 mm lost head nails. Turn roof over and nail through roof panels into apex cover strip using 2 x 25 mm pins. Position vent covers over vent holes and nail in place using 8 x 12 mm black japanned round head tacks.

Old Road, Maisemore, Gloucester, GL2 8HT Tel: 01452 700289 Fax: 01452 700196 email: sales@bees-online.co.uk www.bees-online.co.uk www.honey-online.co.uk

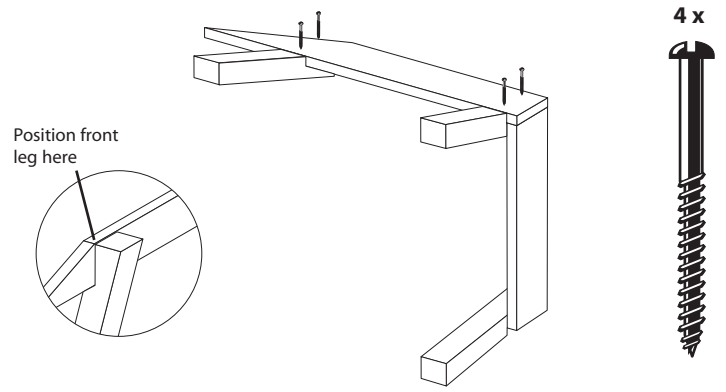
Assembly Instructions - Hive stand WBC legs



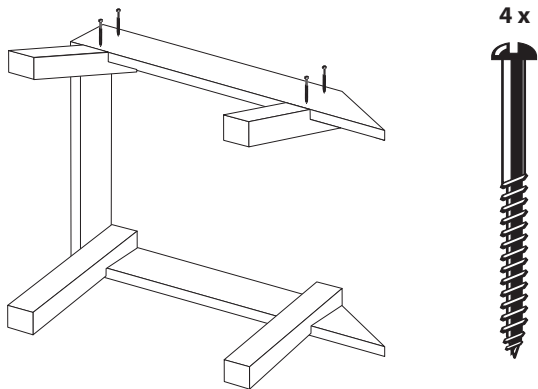
MAISEMORE APIARIES



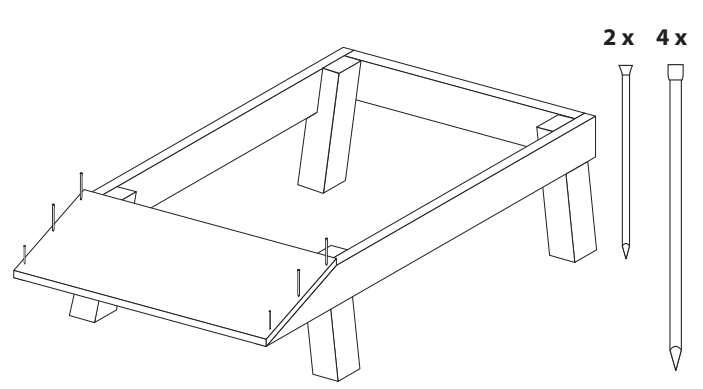
1 Place rear legs as shown, and fix rear cross rail using 4 x 40mm black japanned screws



2 Place left hand side rail and front leg in place as shown and fix using 4 x 40mm black japanned screws.



3 Repeat with the right hand side rail and front leg



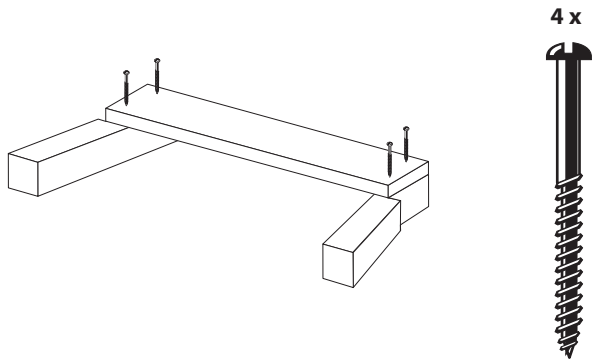
4 Nail the front slope into place, flush to the front edge of the side rails with its front edge vertical, using 2 x 25mm pins and 4 x 40mm lost head nails

Old Road, Maisemore, Gloucester, GL2 8HT Tel: 01452 700289 Fax: 01452 700196 email: sales@bees-online.co.uk www.bees-online.co.uk www.honey-online.co.uk

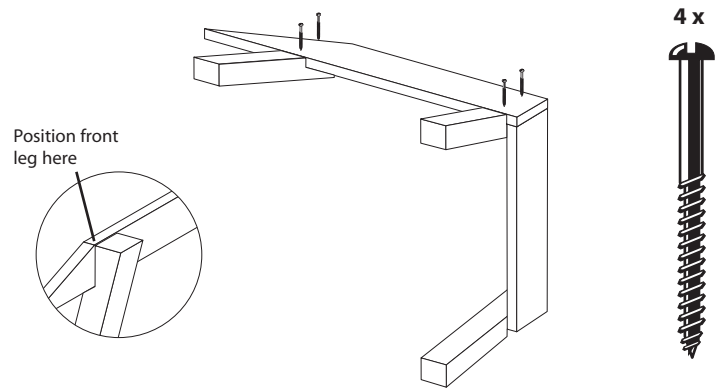
Assembly Instructions - Hive stand WBC legs



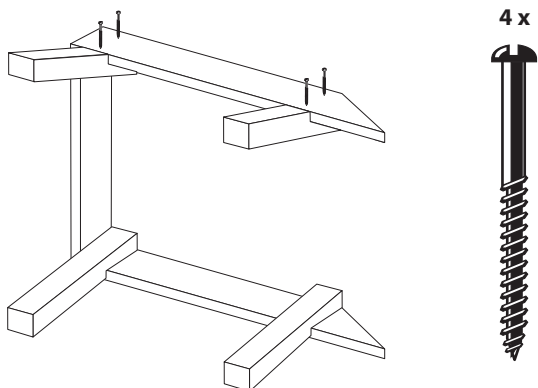
MAISEMORE APIARIES



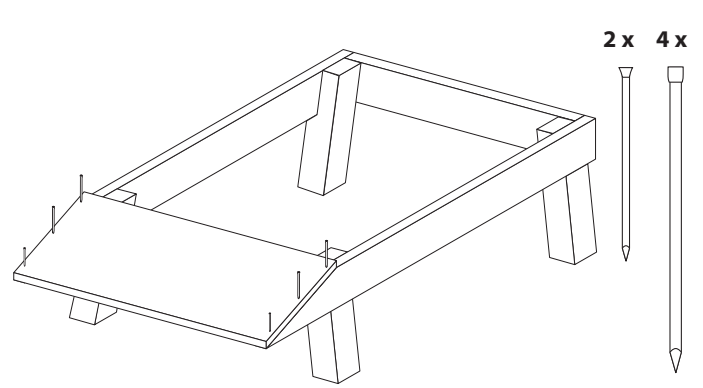
1 Place rear legs as shown, and fix rear cross rail using 4 x 40mm black japanned screws



2 Place left hand side rail and front leg in place as shown and fix using 4 x 40mm black japanned screws.



3 Repeat with the right hand side rail and front leg



4 Nail the front slope into place, flush to the front edge of the side rails with its front edge vertical, using 2 x 25mm pins and 4 x 40mm lost head nails

Old Road, Maisemore, Gloucester, GL2 8HT Tel: 01452 700289 Fax: 01452 700196 email: sales@bees-online.co.uk www.bees-online.co.uk www.honey-online.co.uk