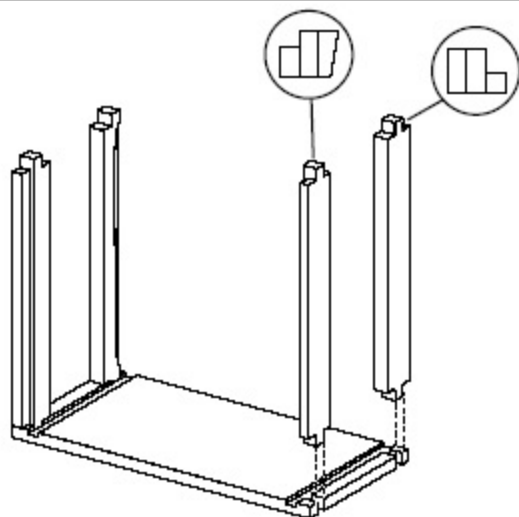


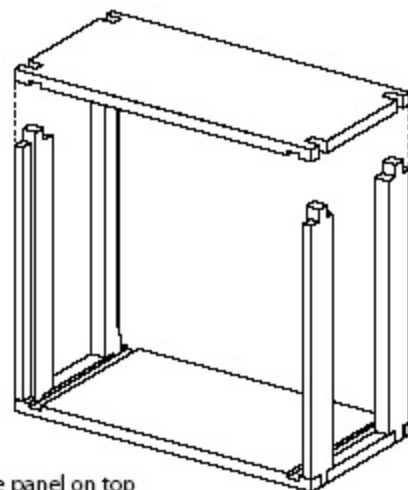


Super



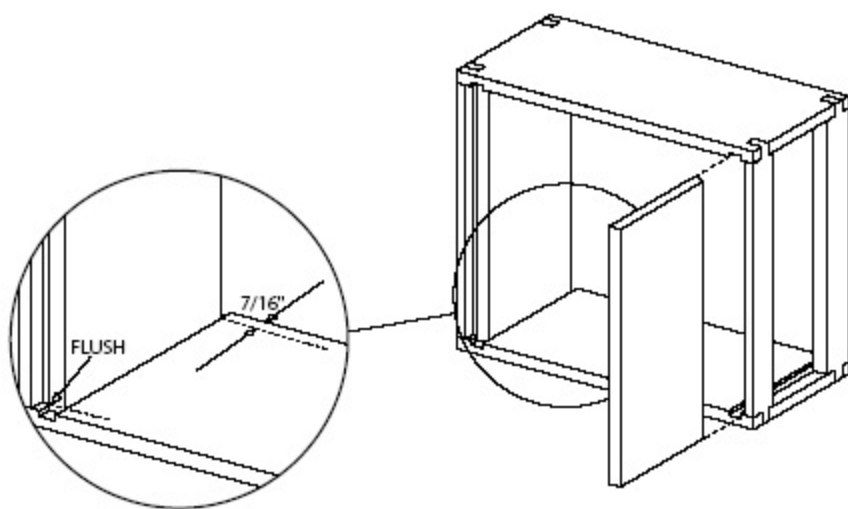
1

Lay side panel flat. Insert top rails with cutouts facing in and up. Insert bottom rails with chamfer sloping down and outwards.



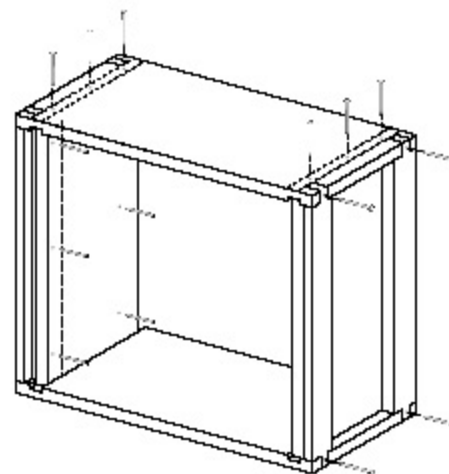
2

Place second side panel on top

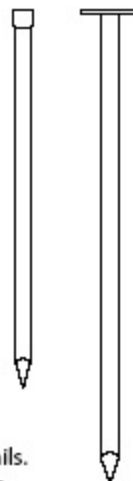


3

Slide end boards into grooves ensuring chamfered edge is towards top and slopes down and out. The top edge must be $7/16"$ below the top edge of the side panel



12 x 20 x



4

Nail rails to side panels as shown using 8 x 50mm round head wire nails.
Nail side panels to end boards using 12 x 50mm round head wire nails.
Nail end boards to rails using 12 x 40mm lost head nails