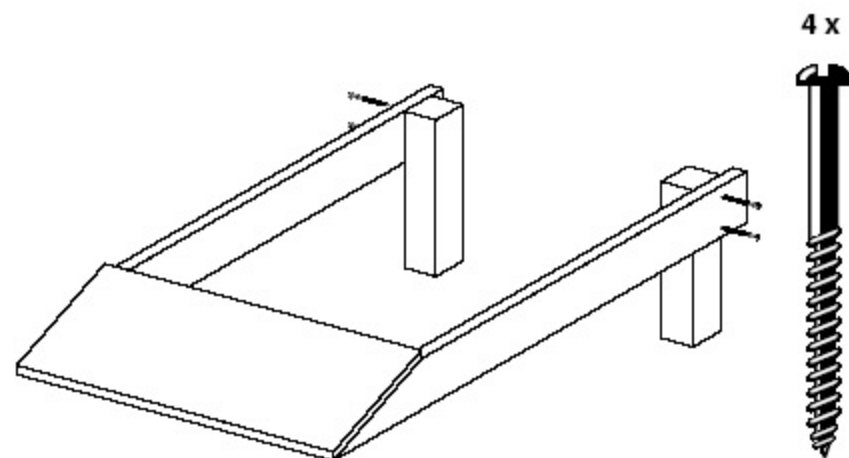
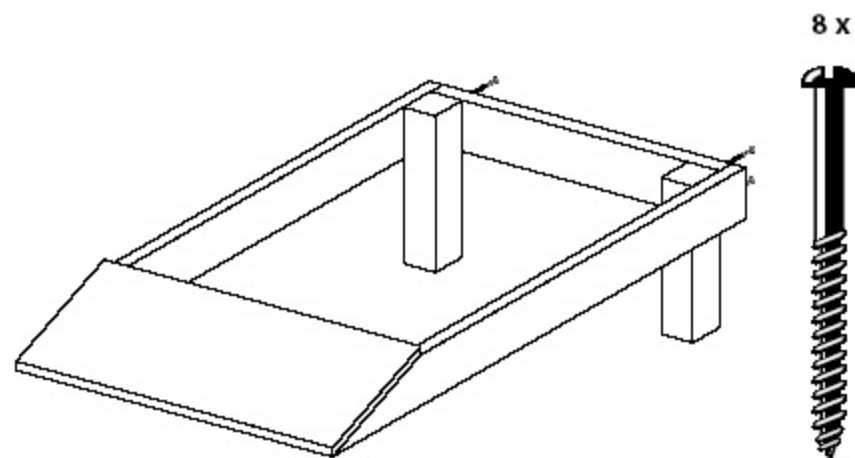


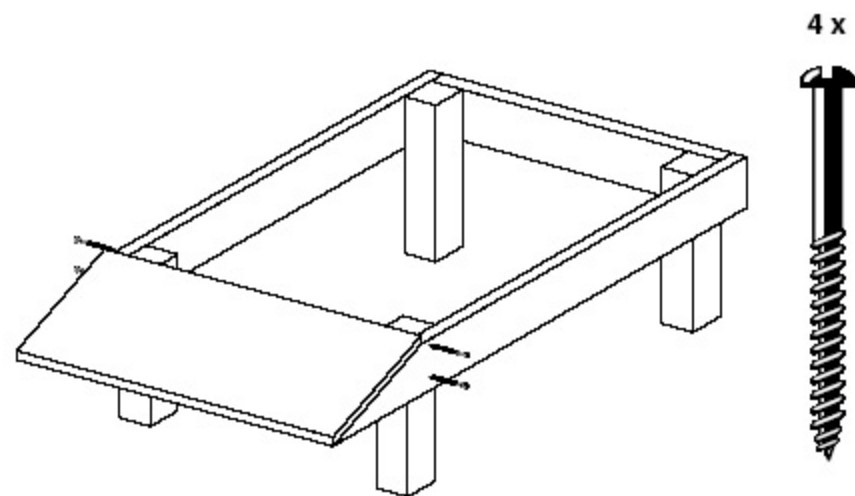
1 Place Base side rails as shown and nail the front slope into place, flush to the front edge of the side rails with its front edge vertical, using 2 x 25mm pins and 4 x 40mm lost head nails



2 Place rear legs as shown, leaving space for the cross rail and fix using 4 x 40mm black japanned screws



3 Position cross rail between side rails and against rear legs. Fix in place with 2 x 40mm black japanned screws through cross rail into rear legs



4 Position front legs with their front edge aligned with the inner edge of the front slope and fix in place using 4 x 40mm black japanned screws