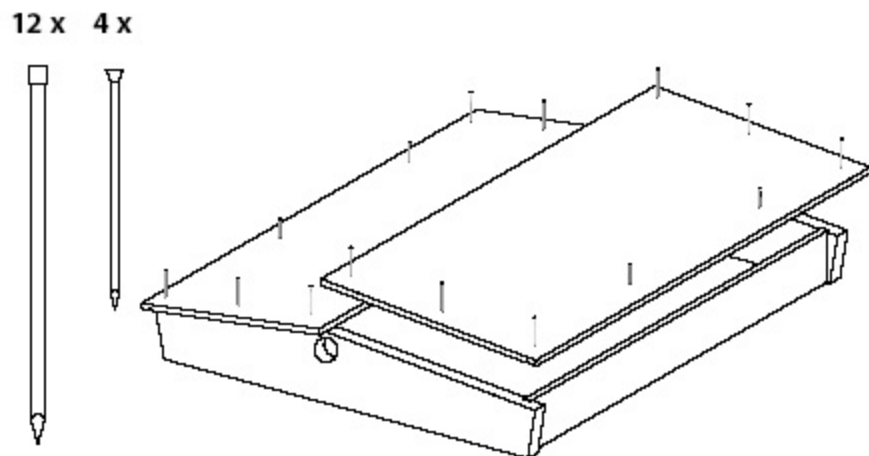
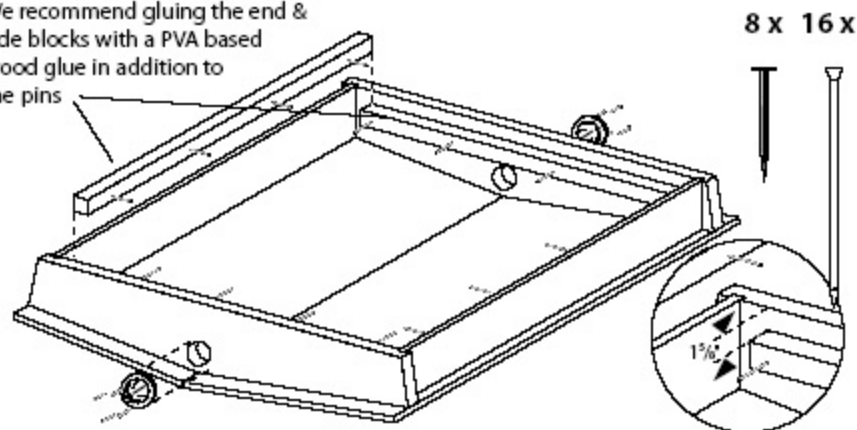


- 1** Assemble roof ends to side rails sides as shown. Nail through ends into side rails using 8 x 40 mm lost head nails. Check assembly remains square.

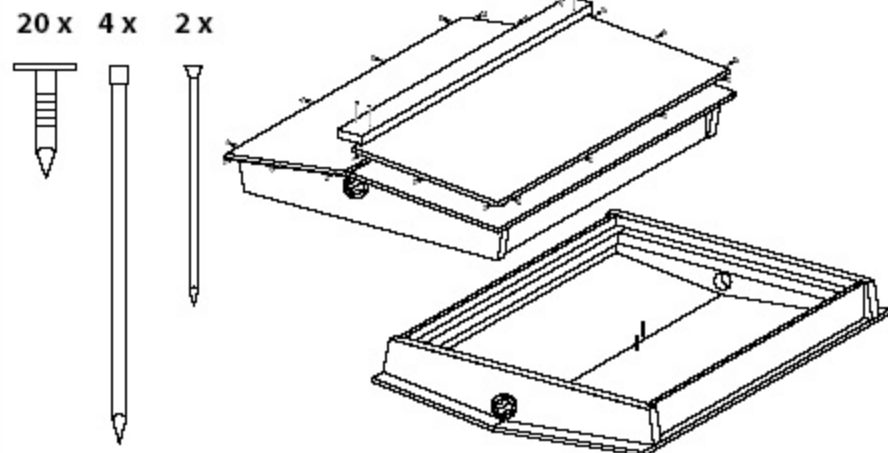


- 2** Position roof panels as shown (overhang equally at each end) and nail to end boards using 12 x 40 mm lost head nails. Nail to sides using 4 x 25 mm pins.

We recommend gluing the end & side blocks with a PVA based wood glue in addition to the pins



- 3** Turn roof over and position inner end blocks and inner side blocks  $1\frac{3}{8}$ " from the lower edge of the roof. Nail to ends and sides using 4 x 25 mm pins per block. Position vent covers over vent holes and nail in place using 8 x 12 mm black japanned round head tacks.



- 4** Turn roof over, place metal covers over roof and nail to roof edges using 20 x 12 mm round head nails. Position apex cover strip as shown and nail to roof end boards using 4 x 40 mm lost head nails. Turn roof over and nail through roof panels into apex cover strip using 2 x 25 mm pins.