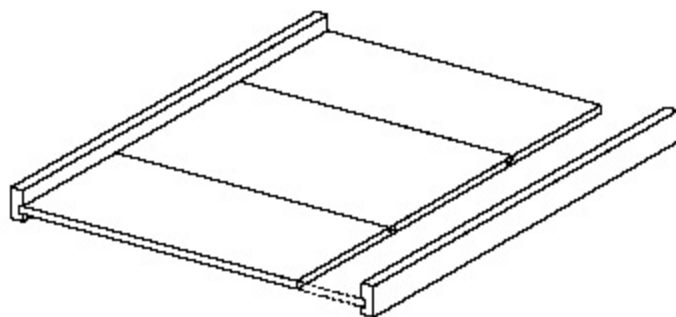


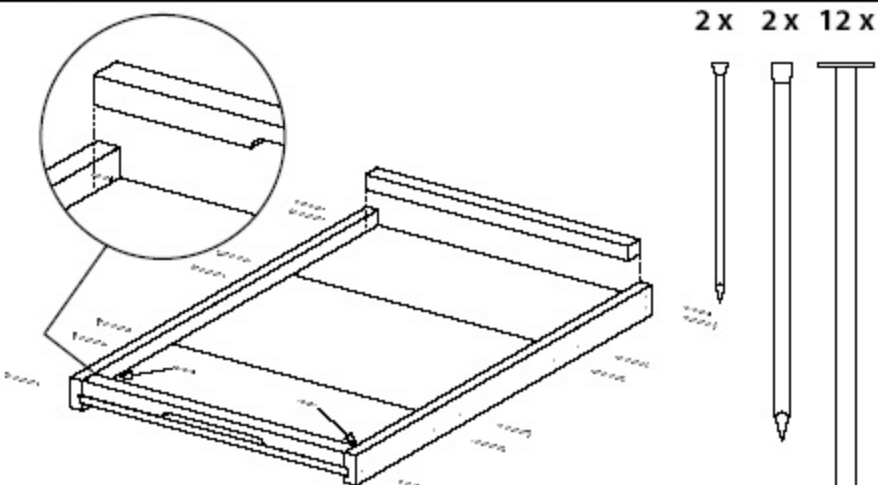
1

Place floor panels flat fitting rebates together as shown.



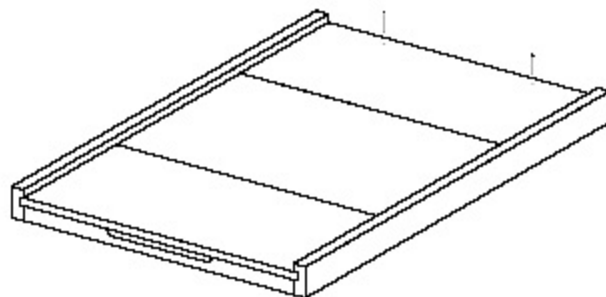
2

Slot side rails onto floor edges; groove should be to bottom of rail.



3

Nail side rails to floor panels using 12 x 50mm round head nails. Position back block between rails and nail using 2 x 40mm pins. Position front/entry block between rails and scribe inner edge to side rails. Remove block and tap in a 25mm pin to half it's length at scribed line to prevent block being pushed into hive. Front block is left loose.



4

Turn floor over and nail through floor into back block using 2 x 25mm pins.