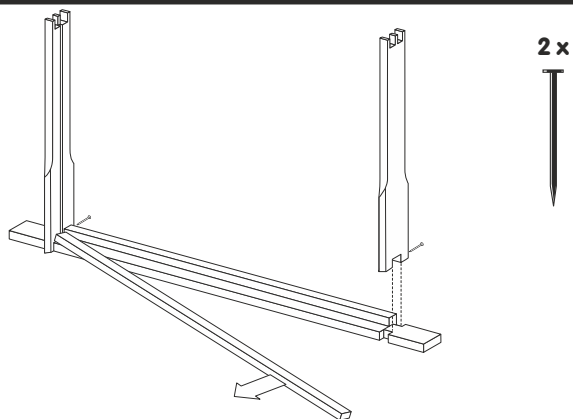


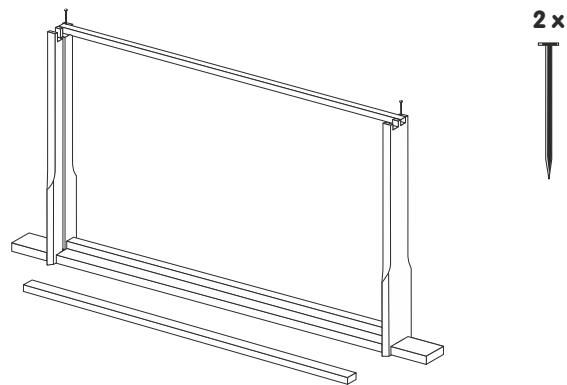
Assembly Instructions - FRAMES



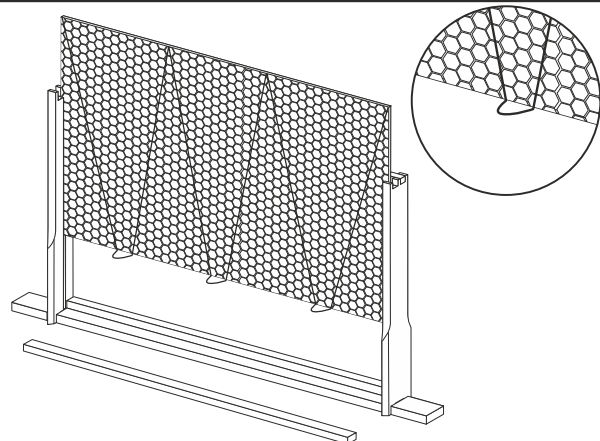
MAISEMORE APIARIES LTD



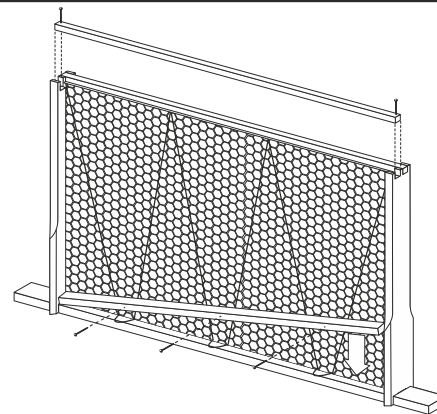
1 Break out wedge strip from Top bar & retain. Slot side bars onto top bar as shown, with groove to inside. Nail in place as indicated with 2 x 19mm black



2 Place first bottom rail in position as shown and nail in place as indicated with 2 x 19mm black Gimp pins.



3 Bend over wire loops at right angles
Carefully slide wax insert into side grooves until wire loops rest on Top



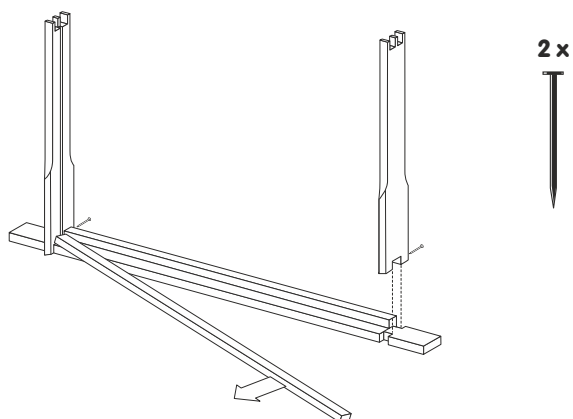
4 Press wedge strip (from step 1) between side rails, down onto wire loops as shown and nail into rear of top rail with 3 x 19mm black Gimp pins as shown. Fit second bottom rail and nail in place as indicated with 2 x 19mm

Old Road, Maisemore, Gloucester, GL2 8HT Tel: 01452 700289 Fax: 01452 700196 email: sales@bees-online.co.uk www.bees-online.co.uk www.woodenbriquettes.co.uk

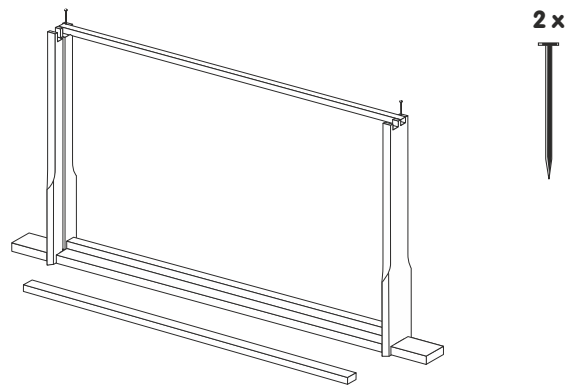
Assembly Instructions - FRAMES



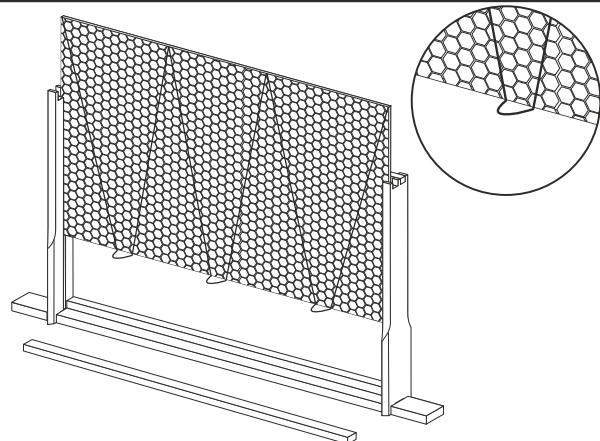
MAISEMORE APIARIES LTD



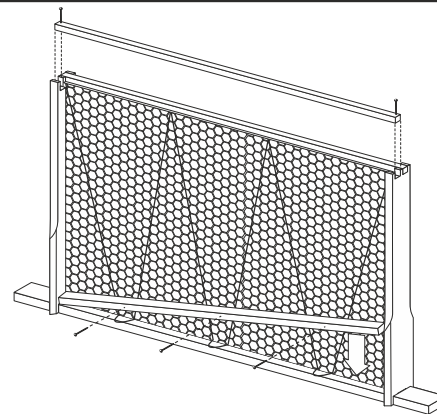
1 Break out wedge strip from Top bar & retain. Slot side bars onto top bar as shown, with groove to inside. Nail in place as indicated with 2 x 19mm black



2 Place first bottom rail in position as shown and nail in place as indicated with 2 x 19mm black Gimp pins.



3 Bend over wire loops at right angles
Carefully slide wax insert into side grooves until wire loops rest on Top



4 Press wedge strip (from step 1) between side rails, down onto wire loops as shown and nail into rear of top rail with 3 x 19mm black Gimp pins as shown. Fit second bottom rail and nail in place as indicated with 2 x 19mm

Old Road, Maisemore, Gloucester, GL2 8HT Tel: 01452 700289 Fax: 01452 700196 email: sales@bees-online.co.uk www.bees-online.co.uk www.woodenbriquettes.co.uk