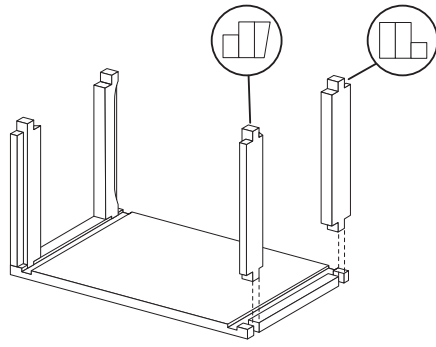


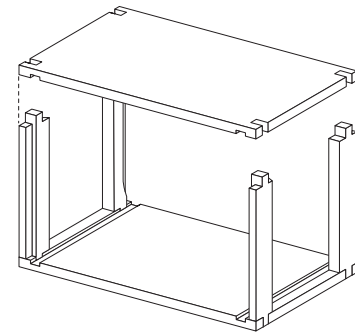
Assembly Instructions - Nat. Brood Chamber 6 Comb



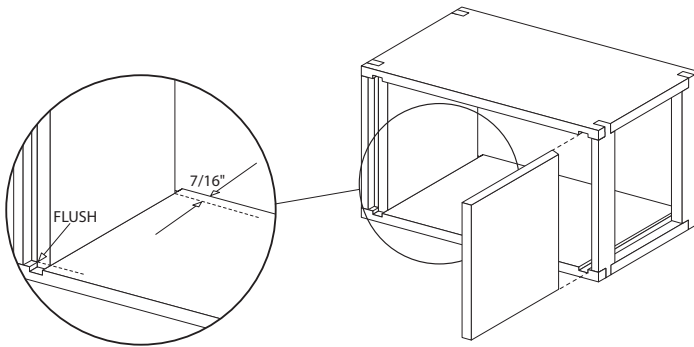
MAISEMORE APIARIES



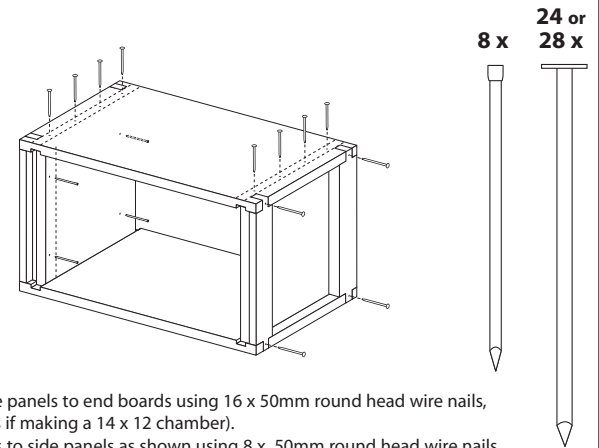
1 Lay side panel flat. Insert top rails with cutouts facing in and up. Insert bottom rails with chamfer sloping down and outwards.



2 Place second side panel on top



3 Slide end boards into grooves ensuring chamfered edge is towards top and slopes down and out. The top edge must be 7/16" below the top edge of the side panel



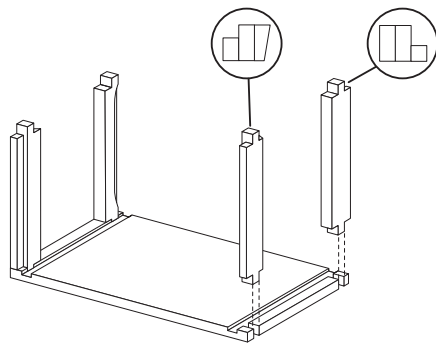
4 Nail side panels to end boards using 16 x 50mm round head wire nails, (20 nails if making a 14 x 12 chamber).
Nail rails to side panels as shown using 8 x 50mm round head wire nails.
Nail end boards to rails using 8 x 40mm lost head nails

Old Road, Maisemore, Gloucester, GL2 8HT Tel: 01452 700289 Fax: 01452 700196 email: sales@bees-online.co.uk www.bees-online.co.uk www.honey-online.co.uk

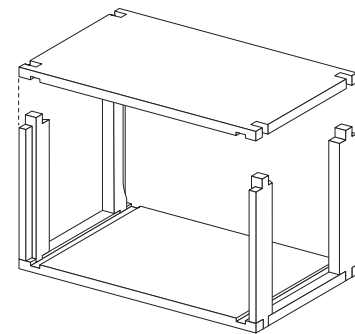
Assembly Instructions - Nat. Brood Chamber 6 Comb



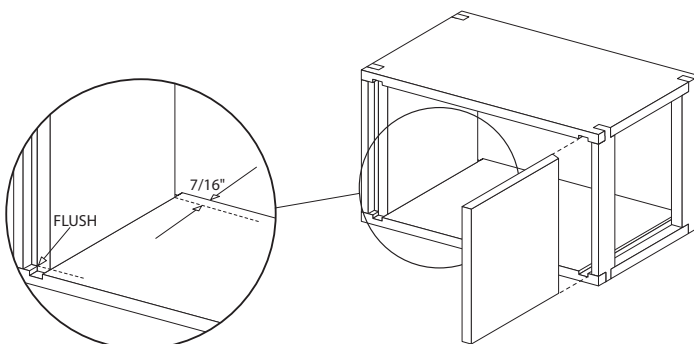
MAISEMORE APIARIES



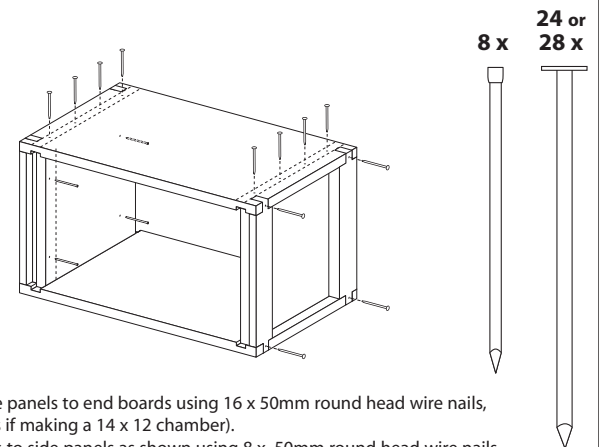
1 Lay side panel flat. Insert top rails with cutouts facing in and up. Insert bottom rails with chamfer sloping down and outwards.



2 Place second side panel on top



3 Slide end boards into grooves ensuring chamfered edge is towards top and slopes down and out. The top edge must be 7/16" below the top edge of the side panel



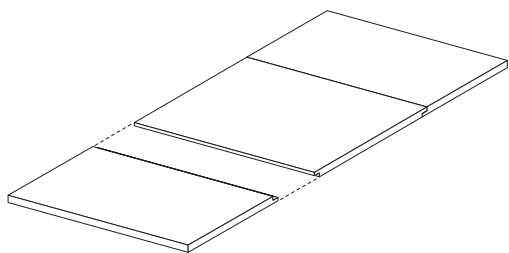
4 Nail side panels to end boards using 16 x 50mm round head wire nails, (20 nails if making a 14 x 12 chamber).
Nail rails to side panels as shown using 8 x 50mm round head wire nails.
Nail end boards to rails using 8 x 40mm lost head nails

Old Road, Maisemore, Gloucester, GL2 8HT Tel: 01452 700289 Fax: 01452 700196 email: sales@bees-online.co.uk www.bees-online.co.uk www.honey-online.co.uk

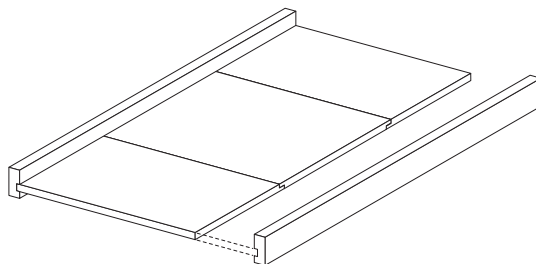
Assembly Instructions - National Floor 6 comb



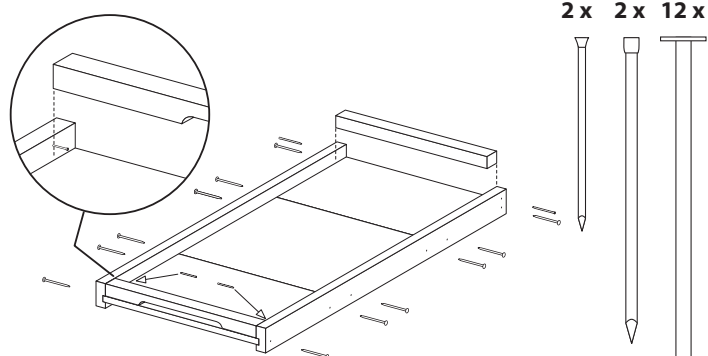
MAISEMORE APIARIES



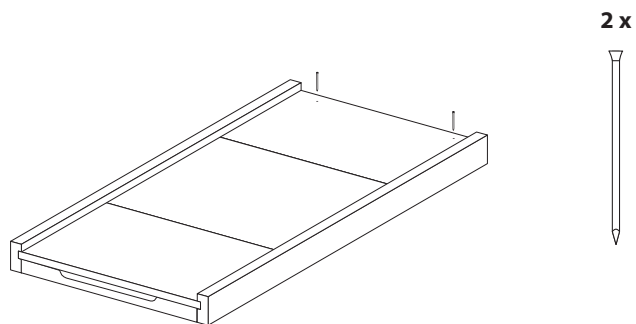
1 Place floor panels flat fitting rebates together as shown.



2 Slot side rails onto floor edges; groove should be to bottom of rail.



3 Nail side rails to floor panels using 12 x 50mm round head nails. Position back block between rails and nail using 2 x 40mm pins. Position front/entry block between rails and scribe inner edge to side rails. Remove block and tap in a 25mm pin to half its length at scribed line to prevent block being pushed into hive. Front block is left loose.



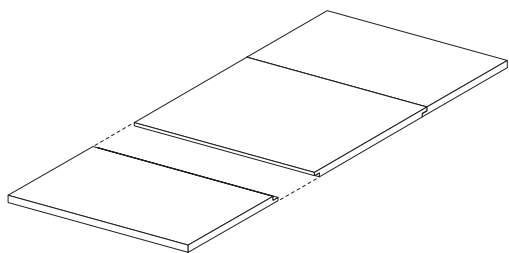
4 Turn floor over and nail through floor into back block using 2 x 25mm pins.

Old Road, Maisemore, Gloucester, GL2 8HT Tel: 01452 700289 Fax: 01452 700196 email: sales@bees-online.co.uk www.bees-online.co.uk www.honey-online.co.uk

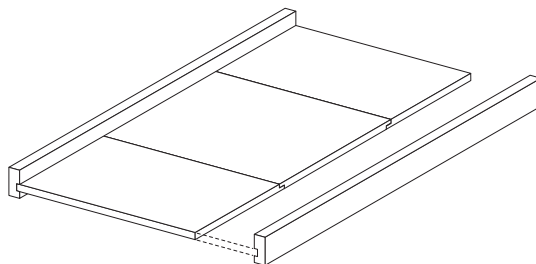
Assembly Instructions - National Floor 6 comb



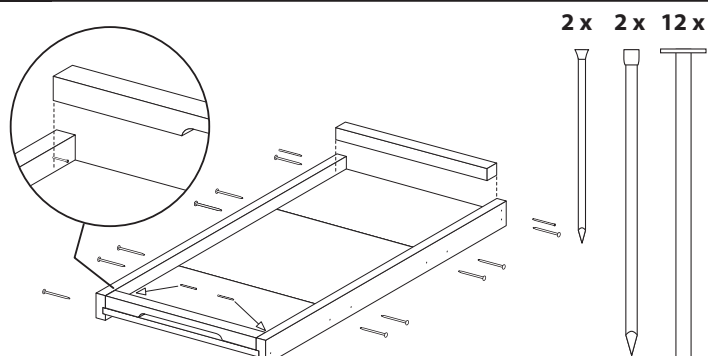
MAISEMORE APIARIES



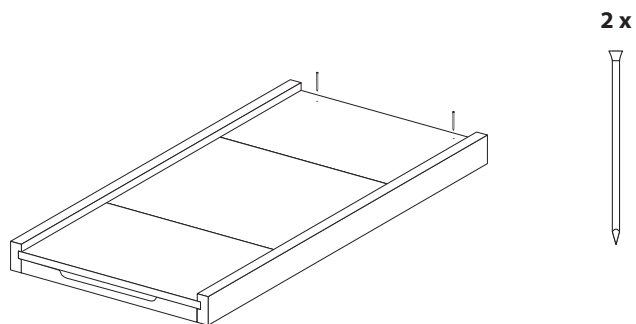
1 Place floor panels flat fitting rebates together as shown.



2 Slot side rails onto floor edges; groove should be to bottom of rail.



3 Nail side rails to floor panels using 12 x 50mm round head nails. Position back block between rails and nail using 2 x 40mm pins. Position front/entry block between rails and scribe inner edge to side rails. Remove block and tap in a 25mm pin to half its length at scribed line to prevent block being pushed into hive. Front block is left loose.



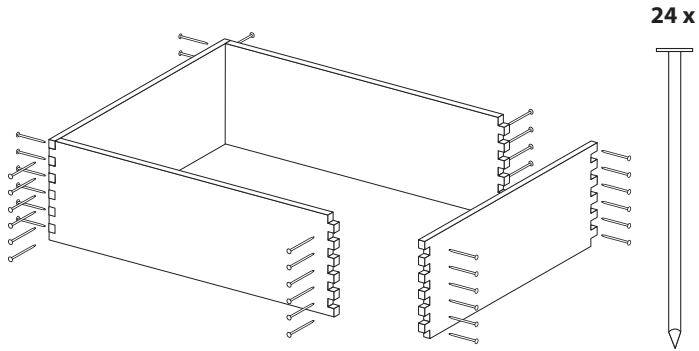
4 Turn floor over and nail through floor into back block using 2 x 25mm pins.

Old Road, Maisemore, Gloucester, GL2 8HT Tel: 01452 700289 Fax: 01452 700196 email: sales@bees-online.co.uk www.bees-online.co.uk www.honey-online.co.uk

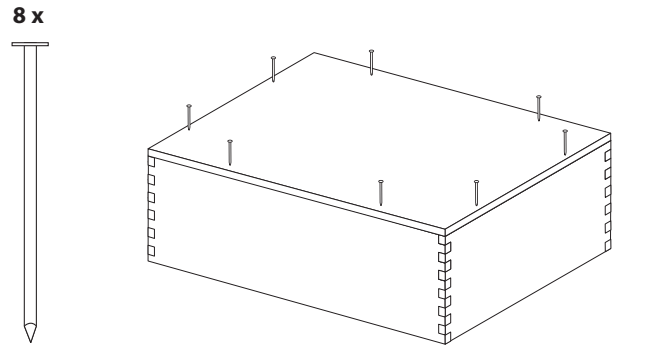
Assembly Instructions - National Roof 6 comb



MAISEMORE APIARIES

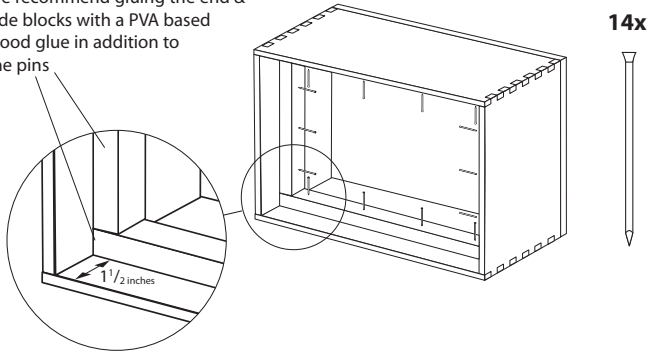


1 Assemble roof sides as diagram. Nail sides together using 48 x 40mm round head nails. Check side assembly remains square.

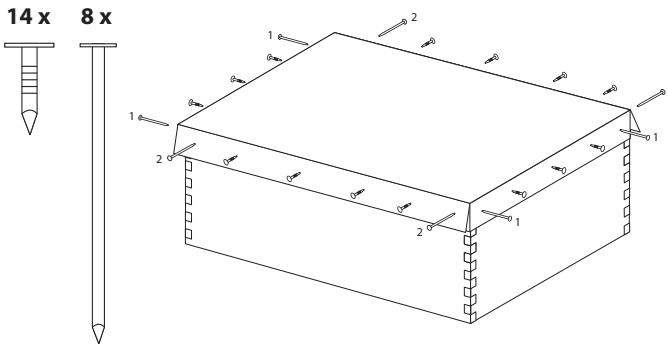


2 Turn frame over and nail roof panel to sides using 8 x 40mm round head nails.

We recommend gluing the end & side blocks with a PVA based wood glue in addition to the pins



3 Place roof spacer blocks inside roof 1 1/2 inches from the lower edge as shown and nail to side panels using 38 mm pins: 4 per block on long sides and 3 per block at short sides.



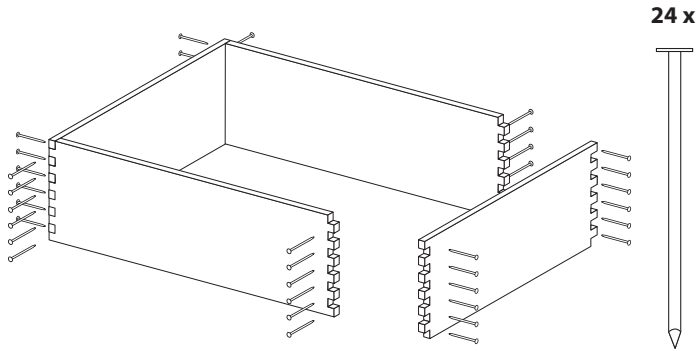
4 Place metal cover over roof and nail to sides in the following sequence: First the edges with flaps (1) in the corners with 4 x 40mm round head nails. Next nail the edges without flaps (2) in the corners using 4 x round head nails. Finally nail round the sides using 14 x 12mm round head nails as shown.

Old Road, Maisemore, Gloucester, GL2 8HT Tel: 01452 700289 Fax: 01452 700196 email: sales@bees-online.co.uk www.bees-online.co.uk www.honey-online.co.uk

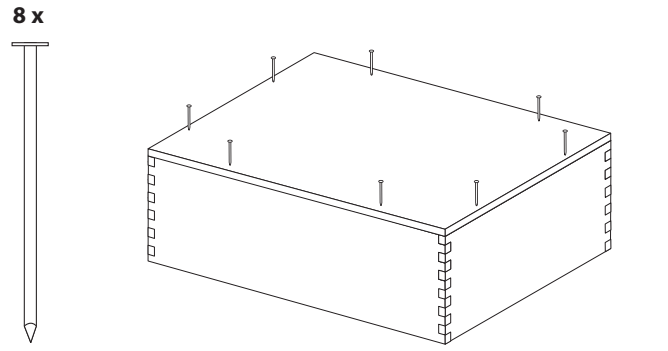
Assembly Instructions - National Roof 6 comb



MAISEMORE APIARIES

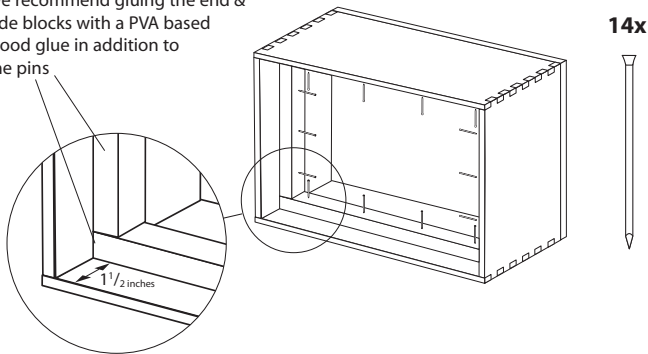


1 Assemble roof sides as diagram. Nail sides together using 48 x 40mm round head nails. Check side assembly remains square.

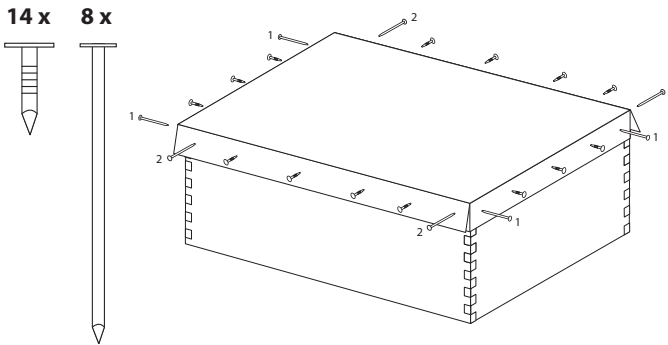


2 Turn frame over and nail roof panel to sides using 8 x 40mm round head nails.

We recommend gluing the end & side blocks with a PVA based wood glue in addition to the pins



3 Place roof spacer blocks inside roof 1 1/2 inches from the lower edge as shown and nail to side panels using 38 mm pins: 4 per block on long sides and 3 per block at short sides.



4 Place metal cover over roof and nail to sides in the following sequence: First the edges with flaps (1) in the corners with 4 x 40mm round head nails. Next nail the edges without flaps (2) in the corners using 4 x round head nails. Finally nail round the sides using 14 x 12mm round head nails as shown.

Old Road, Maisemore, Gloucester, GL2 8HT Tel: 01452 700289 Fax: 01452 700196 email: sales@bees-online.co.uk www.bees-online.co.uk www.honey-online.co.uk