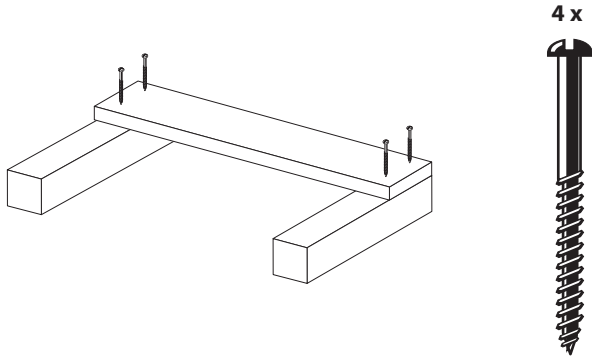


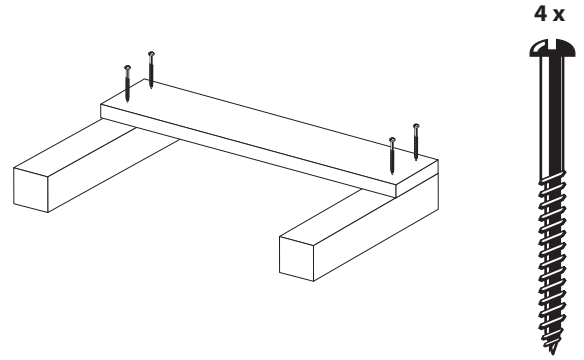
Assembly Instructions - National Hive stand with Legs



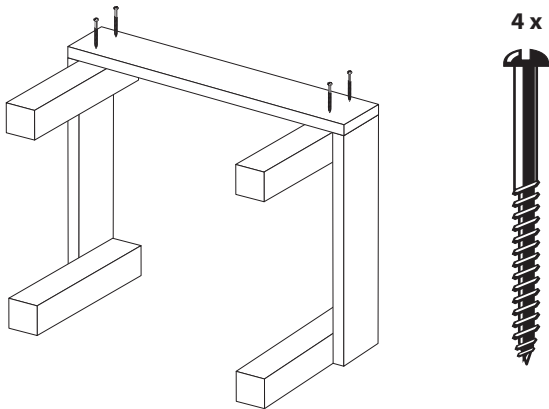
MAISEMORE APIARIES



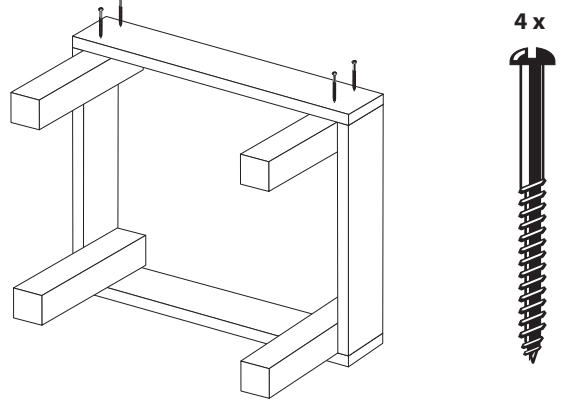
1 Place rear legs as shown, and fix the short rear cross rail using 4 x 40mm black japanned screws



2 Repeat the process with the short front cross rail, fixing with 4 x 40mm black japanned screws.



3 Place the completed front and rear leg assemblies as shown and fix the long side rail in place using 4 x 40mm black japanned screws,



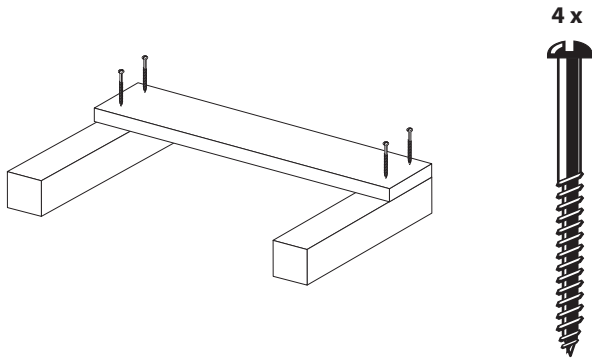
4 Carefully turn the stand over and repeat using the other long side rail, fixing in place with 4 x 40mm black japanned screws.

Old Road, Maismore, Gloucester, GL2 8HT Tel: 01452 700289 Fax: 01452 700196 email: sales@bees-online.co.uk www.bees-online.co.uk www.honey-online.co.uk

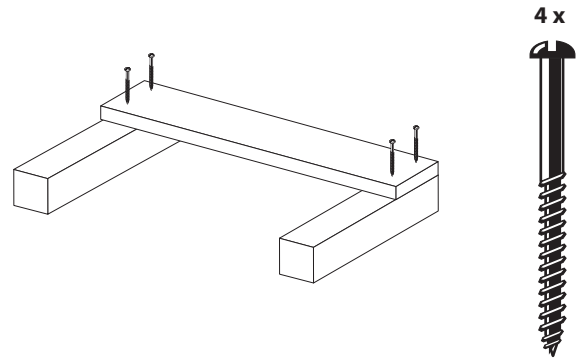
Assembly Instructions - National Hive stand with Legs



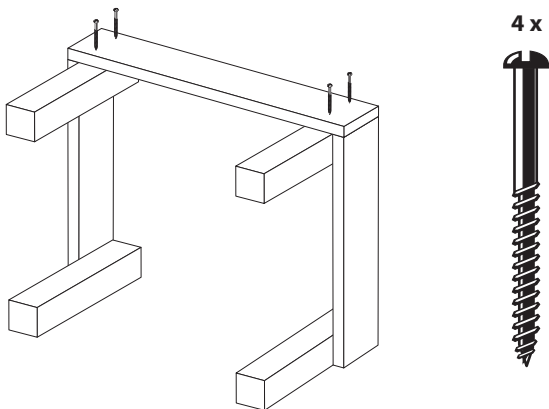
MAISEMORE APIARIES



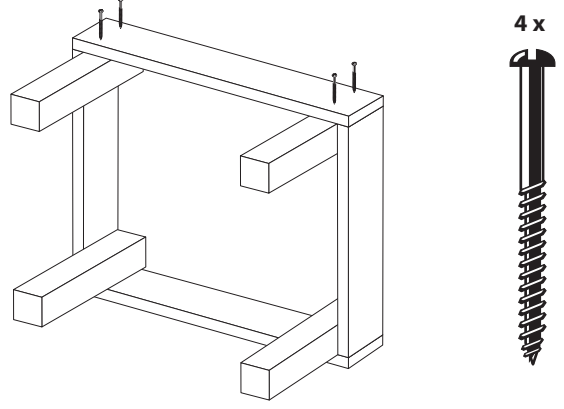
1 Place rear legs as shown, and fix the short rear cross rail using 4 x 40mm black japanned screws



2 Repeat the process with the short front cross rail, fixing with 4 x 40mm black japanned screws.



3 Place the completed front and rear leg assemblies as shown and fix the long side rail in place using 4 x 40mm black japanned screws,



4 Carefully turn the stand over and repeat using the other long side rail, fixing in place with 4 x 40mm black japanned screws.

Old Road, Maismore, Gloucester, GL2 8HT Tel: 01452 700289 Fax: 01452 700196 email: sales@bees-online.co.uk www.bees-online.co.uk www.honey-online.co.uk