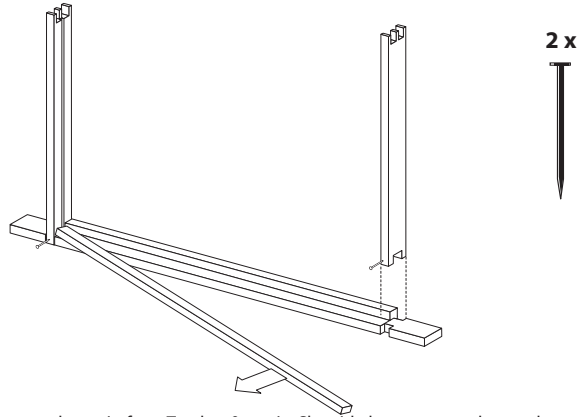


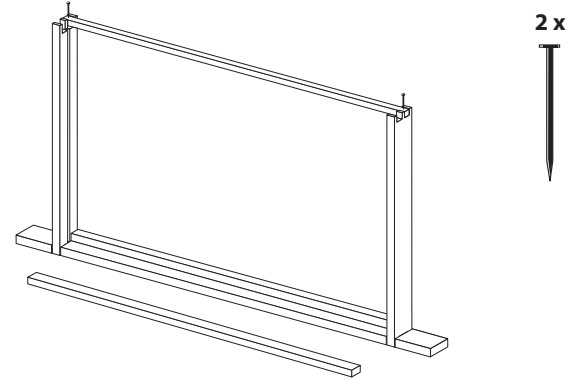
## Assembly Instructions - Frame 1



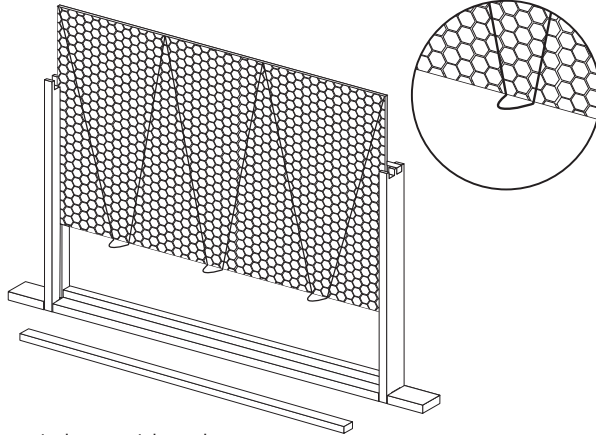
# MAISEMORE APIARIES



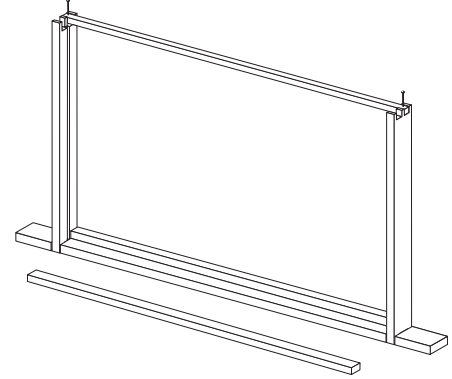
**1** Break out wedge strip from Top bar & retain. Slot side bars onto top bar as shown, with groove to inside. Nail in place as indicated with 2 x 19mm black Gimp pins



**2** Place first bottom rail in position as shown and nail in place as indicated with 2 x 19mm black Gimp pins.



**3** Bend over wire loops at right angles  
Carefully slide wax insert into side grooves until wire loops rest on Top bar.



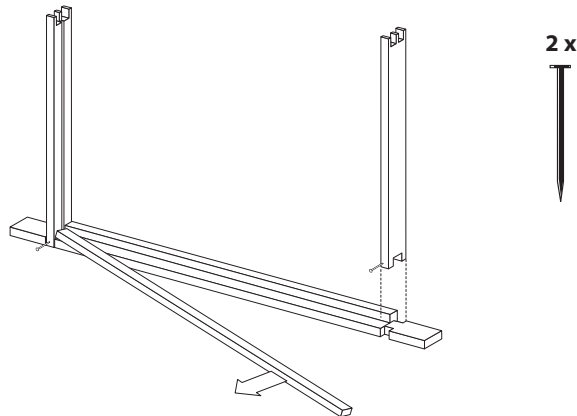
**4** Press wedge strip (from step 1) between side rails, down onto wire loops as shown and nail into rear of top rail with 3 x 19mm black Gimp pins as shown. Fit second bottom rail and nail in place as indicated with 2 x 19mm black Gimp pins.

Old Road, Maisemore, Gloucester, GL2 8HT Tel: 01452 700289 Fax: 01452 700196 email: sales@bees-online.co.uk www.bees-online.co.uk www.honey-online.co.uk

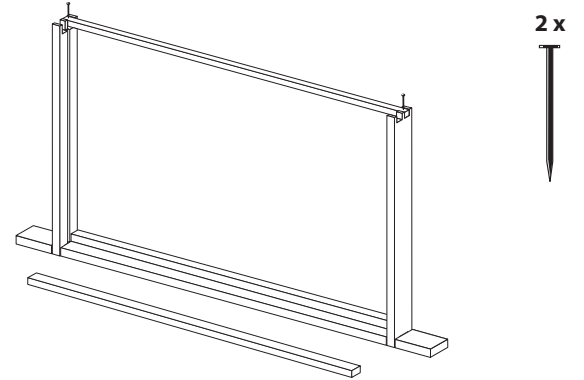
## Assembly Instructions - Frame 1



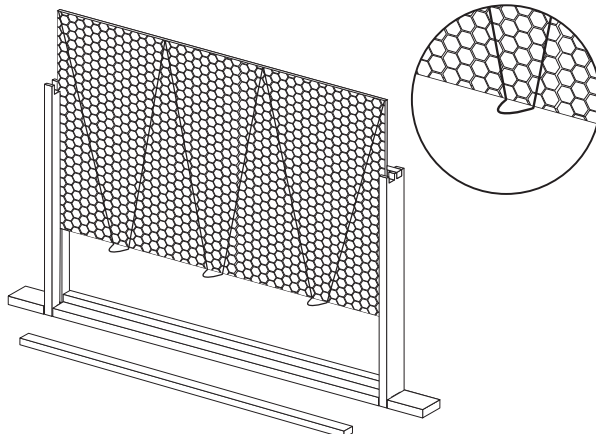
# MAISEMORE APIARIES



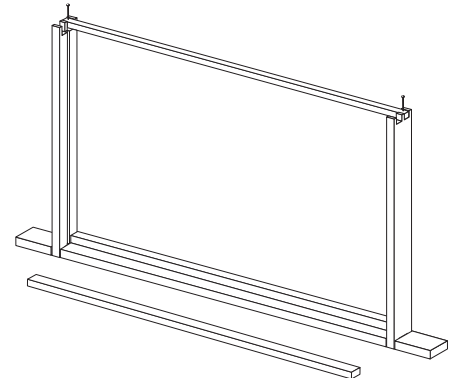
**1** Break out wedge strip from Top bar & retain. Slot side bars onto top bar as shown, with groove to inside. Nail in place as indicated with 2 x 19mm black Gimp pins



**2** Place first bottom rail in position as shown and nail in place as indicated with 2 x 19mm black Gimp pins.



**3** Bend over wire loops at right angles  
Carefully slide wax insert into side grooves until wire loops rest on Top bar.



**4** Press wedge strip (from step 1) between side rails, down onto wire loops as shown and nail into rear of top rail with 3 x 19mm black Gimp pins as shown. Fit second bottom rail and nail in place as indicated with 2 x 19mm black Gimp pins.

Old Road, Maisemore, Gloucester, GL2 8HT Tel: 01452 700289 Fax: 01452 700196 email: sales@bees-online.co.uk www.bees-online.co.uk www.honey-online.co.uk

# Assembly Instructions - API Guard EKE & 14 x 12 EKE



# MAISEMORE APIARIES

**1** Place end panel (with rebates downwards) onto two sides and nail in place with 4 x 50 mm round head nails.

**2** Repeat the procedure for the opposite side.

**3** Place rebated side rails as shown, Place end panel onto side rails flush with the corners indicated by the dotted lines. Nail in place with 6 x 50mm roundhead nails.

**4** Repeat the procedure for the other end panel, checking that the assembly remains square.

Old Road, Maisemore, Gloucester, GL2 8HT Tel: 01452 700289 Fax: 01452 700196 email: sales@bees-online.co.uk www.bees-online.co.uk www.honey-online.co.uk

# Assembly Instructions - API Guard EKE & 14 x 12 EKE



# MAISEMORE APIARIES

**1** Place end panel (with rebates downwards) onto two sides and nail in place with 4 x 50 mm round head nails.

**2** Repeat the procedure for the opposite side.

**3** Place rebated side rails as shown, Place end panel onto side rails flush with the corners indicated by the dotted lines. Nail in place with 6 x 50mm roundhead nails.

**4** Repeat the procedure for the other end panel, checking that the assembly remains square.

Old Road, Maisemore, Gloucester, GL2 8HT Tel: 01452 700289 Fax: 01452 700196 email: sales@bees-online.co.uk www.bees-online.co.uk www.honey-online.co.uk