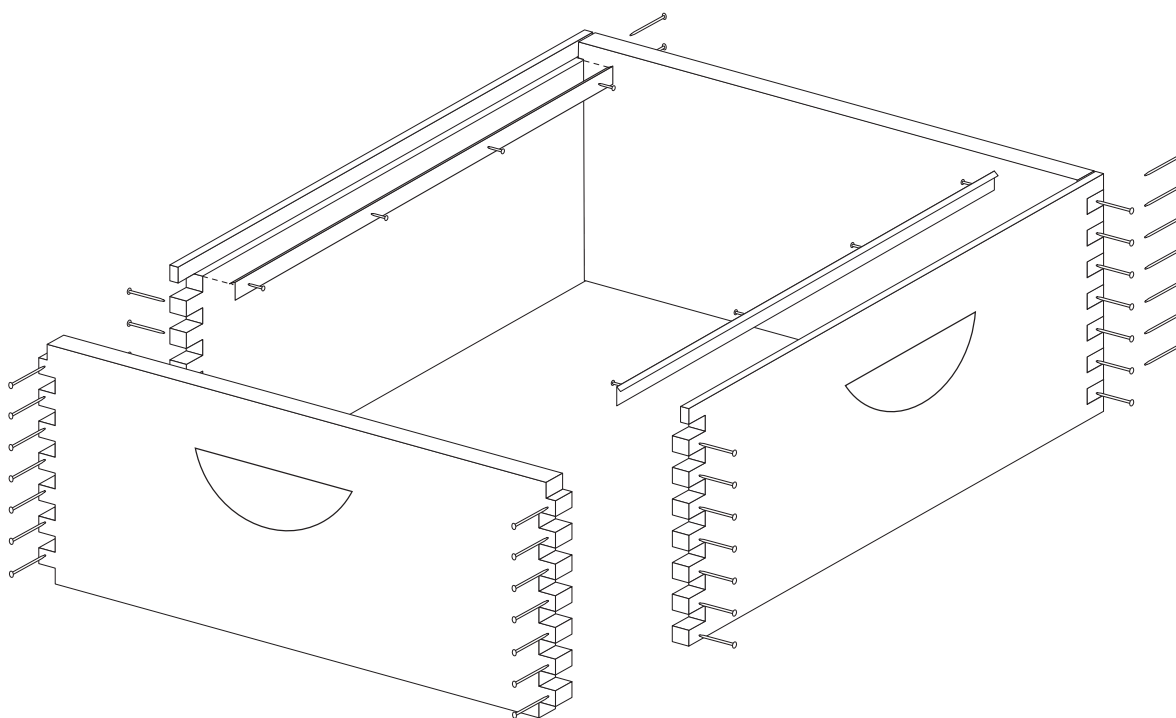


1 Push the four walls together, handles to the outside and tap the joints home, using a suitable block of wood to prevent bruising of the timber. Nail the sides together as indicated in the diagram, using 2" nails. Check frequently that the box is square. It is a good idea to place the nails at the back of the joint and leaning slightly away from the corner to reduce the risk of splitting.

2 Nail runners in position on rebated sides, using 8 escutcheon pins.



1 Push the four walls together, handles to the outside and tap the joints home, using a suitable block of wood to prevent bruising of the timber. Nail the sides together as indicated in the diagram, using 2" nails. Check frequently that the box is square. It is a good idea to place the nails at the back of the joint and leaning slightly away from the corner to reduce the risk of splitting.

2 Nail runners in position on rebated sides, using 8 escutcheon pins.