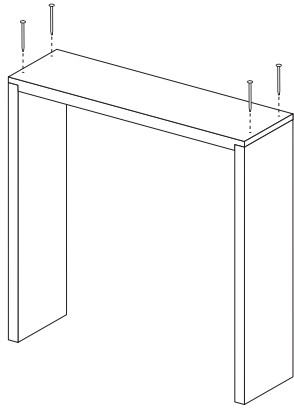


Assembly Instructions - API Guard EKE & 14 x 12 EKE

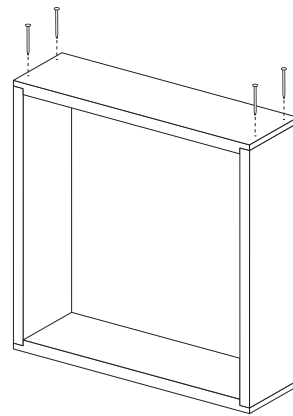


MAISEMORE APIARIES



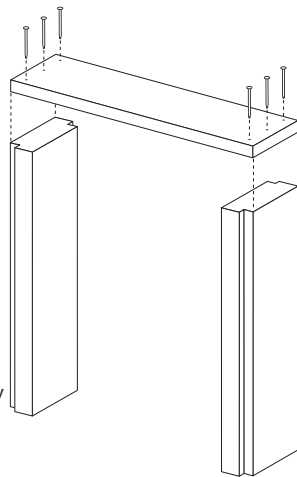
4 x

1 Place end panel (with rebates downwards) onto two sides and nail in place with 4 x 50 mm round head nails.



4 x

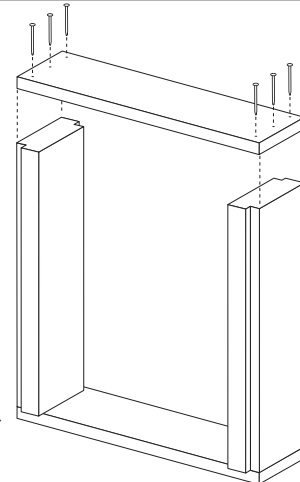
2 Repeat the procedure for the opposite side.



6 x

Place rebated side rails as shown, Place end panel onto side rails flush with the corners indicated by the dotted lines. Nail in place with 6 x 50mm roundhead nails.

3



6 x

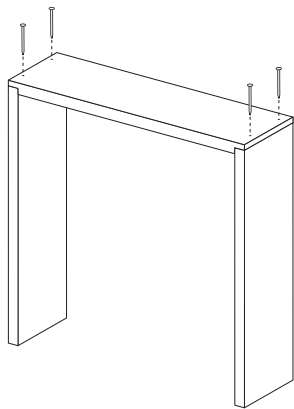
4 Repeat the procedure for the other end panel, checking that the assembly remains square.

Old Road, Maisemore, Gloucester, GL2 8HT Tel: 01452 700289 Fax: 01452 700196 email: sales@bees-online.co.uk www.bees-online.co.uk www.honey-online.co.uk

Assembly Instructions - API Guard EKE & 14 x 12 EKE

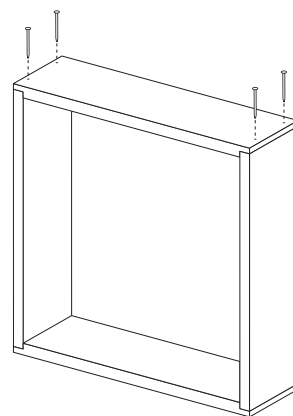


MAISEMORE APIARIES



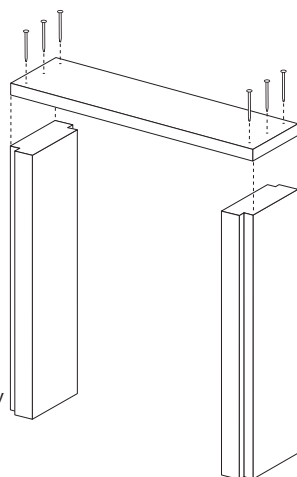
4 x

1 Place end panel (with rebates downwards) onto two sides and nail in place with 4 x 50 mm round head nails.



4 x

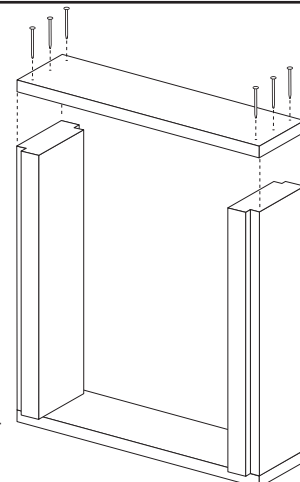
2 Repeat the procedure for the opposite side.



6 x

Place rebated side rails as shown, Place end panel onto side rails flush with the corners indicated by the dotted lines. Nail in place with 6 x 50mm roundhead nails.

3



6 x

4 Repeat the procedure for the other end panel, checking that the assembly remains square.

Old Road, Maisemore, Gloucester, GL2 8HT Tel: 01452 700289 Fax: 01452 700196 email: sales@bees-online.co.uk www.bees-online.co.uk www.honey-online.co.uk